



JetFlush Rapid

- EN** Operating & Servicing Guidelines 3
- FR** Manuel d'utilisation et d'entretien 35
- IT** Guida per l'uso e la manutenzione 69

V1-02-15

Main Contents

Section A – Introduction	Page
Technical Data	4
Safety Precautions	5
Contents of each JetFlush Rapid Flushing Kit	6
Section B – Using the JetFlush Rapid pump for Power Flushing	Page
Introduction	7
System Inspection and Preparation	7
Location and Connection of the JetFlush Rapid Pump	9
Initial Flushing Procedure (water only)	12
Chemical Flushing Procedure – Sentinel X800 Fast Acting Cleaner	15
Inhibitor and Corrosion Protection	17
Upon Completion	17
Quick Guide to Power Flushing	18
Radiator Valve Settings	19
Power Flushing Survey and Check List	20
Power Flush Monitoring Form	24
Section C – Troubleshooting, Service & Repair	Page
Introduction	26
Problem Solving	28
Parts Diagram	29
JetFlush Rapid Spares List	30
Guarantee Registration	33

Section A – Introduction

TECHNICAL SPECIFICATION

Sentinel JetFlush Rapid™

Pump Type	Positive drive centrifugal
Motor	0.50 HP, 220v
Degree of protection	IP55
Motor rating	Continuous
Temperature range	0°C to 75°C
Dimensions	W 390mm, D 440mm, H 690mm
Tank capacity (to filler cap)	39 litres
Weight (without hoses)	17 kg

The unit may be used on a domestic 13 ampere supply. A 5 amp fuse should be fitted in the plug top. A residual current circuit breaker adaptor should be used.

SAFETY PRECAUTIONS

WARNING! This JetFlush machine must be used only by qualified plumbing and heating contractors, installers and service technicians. Read all instructions, including this manual and all other information shipped with this JetFlush unit before using and operating. Perform steps in order given. Failure to comply could result in personal injury or substantial property damage.

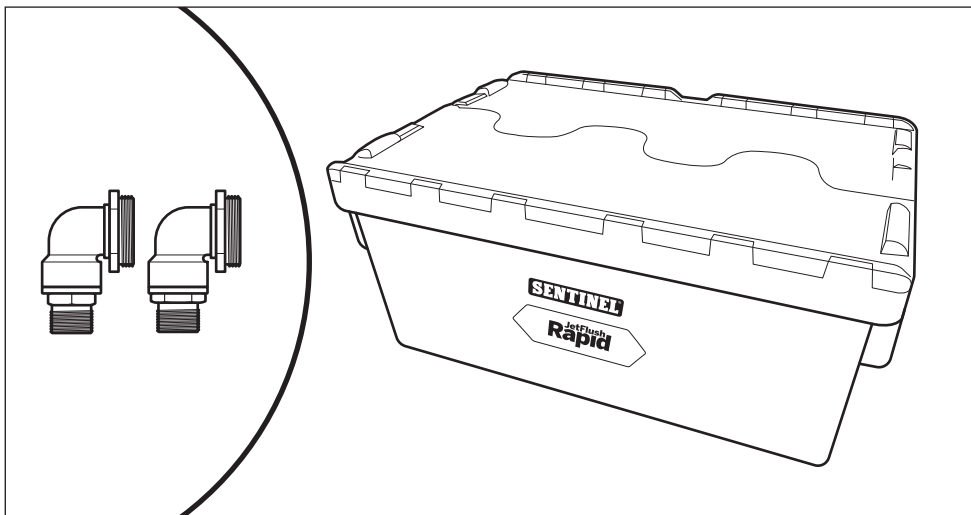
- Precautions should be taken to ensure a safe working environment.
- Take care when lifting large or heavy items.
- Regularly check power leads for wear or damage, use with a residual circuit breaker.
- When handling chemicals always wear suitable protective clothing, gloves and goggles.
- Use in a well ventilated area.
- PAT test (Portable Appliance Test) the electrics annually.

Section A – Introduction

CONTENTS OF EACH JETFLUSH RAPID KIT

Each kit comprises the following:

- JetFlush Rapid power flushing pump
- 2 x 5mtr flow and return hoses (16mm I.D)
- 1 x 8mtr discharge hose (16mm I.D)
- 1 x 3mtr overflow hose
- 1 x 8mtr water inlet hose
- Circulation Pump Head Adaptors
 - 2 x ¾" brass nipple
 - 2 x ¾" male/female PP elbow
 - 2 x 1½" male x ¾" female brass reducing bush



Section B – Using the Jetflush Rapid pump for power flushing

INTRODUCTION

JetFlush Rapid pumps are designed to power flush heating systems with minimal dismantling, by circulating water and flushing chemicals at high velocity, and then purging the dirty water from the system with a high flow of fresh, clean, water. Radiators may be individually flushed without removing or disconnecting them from the system.

Pumps with 220 volt motors are single phase, for use on a standard domestic supply. A five amp fuse should be fitted in the plug top. We recommend the use of a residual current circuit breaker plug or adapter for extra protection.

SYSTEM INSPECTION AND PREPARATION

1. Turn on heating system in order to identify problem flow areas, cold radiators, or those with cold spots, etc. Switch off system.
2. Note how many turns are required to shut off radiator and lock shield valves so that settings may be re-instated after flushing to avoid system balancing. Use a copy of the chart provided to record the number of turns. Open all (both sides of radiator) valves fully.
3. Set any thermostatic radiator valves to the fully open position. Remove the heads and check that the plunger pin moves freely. Check that diverter or zone valves are in the fully open position, setting manually if necessary.
4. If an anti-gravity/check valve is present, this must be by-passed or bridged to allow the flow reversing action to be used. It may be possible to disassemble the anti-gravity valve, and remove internal components.
5. Tie up the ball cock or turn off the mains water supply by another means.
6. Drain enough water from the system to empty the feed & expansion (F&E) tank. This can be drained into the JetFlush tank if it has been connected (connection details are in the next section).
7. With vented systems, it is necessary to cap off, or loop together, the

Section B – Using the Jetflush Rapid pump for power flushing

expansion and cold feed pipes in order to avoid the flushing pump filling and overflowing the expansion tank.

The F&E pipes may be capped with push fit end caps, such as Speedfit, Prestek, or Hep20, or a temporary compression fitting gate valve.

Depending on the configuration of the heating system looping the feed and expansion pipes together may enable these pipes to be flushed during the cleansing process, which can be beneficial when the cold feed pipe contains corrosion deposits.

NOTE 1: This will only be effective when the F&E pipes are not close coupled, or connected via an air separator, and may not remove deposits which have hardened over a long period of time.

NOTE 2: The looping connection may be made with any sturdy flexible tubing, but should incorporate a valve in the loop to close the circuit when flushing individual radiators.

Capping or looping the F&E pipes are only temporary measures, which must be removed after the flushing process.

ENGINEER'S TIP: Don't drain water from the system to lower the water level in the F&E tank until after the flushing pump has been connected into the system.

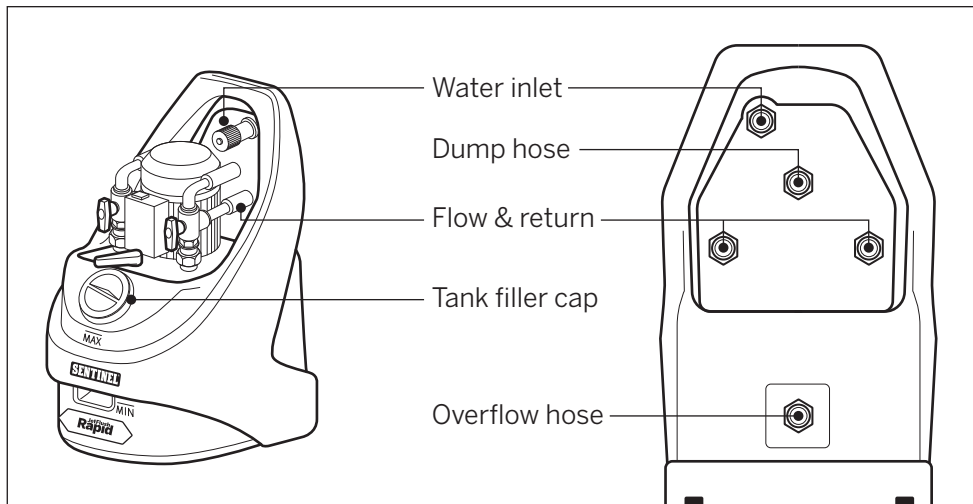
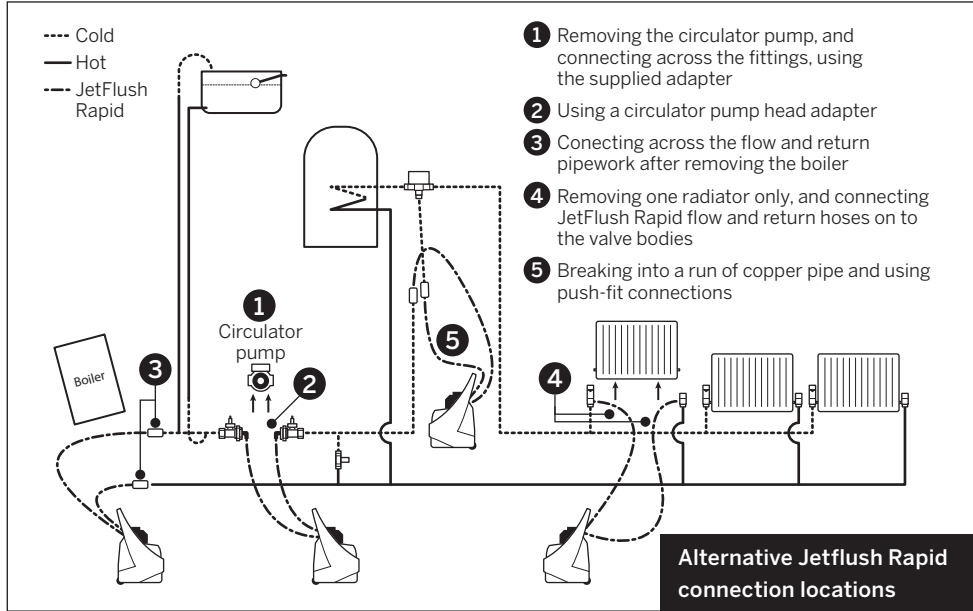
Tie up the F&E tank ballcock or otherwise turn off the cold water feed, and return to the flushing pump. Open both the isolating valves, without switching on the electric motor. The head of water in the house means that heating system water will run down the flow and return hoses and into the tank. Let the water run until the tank is half full, and close both isolating valves.

You should now have emptied the F&E tank sufficiently to carry out the necessary valving or capping off of the cold feed.

NOTE: If there is a large amount of sludge or slime present in the F&E tank it must be cleaned manually and **not** drained into the system.

Section B – Using the Jetflush Rapid pump for power flushing

LOCATION AND CONNECTION OF THE FLUSHING PUMP



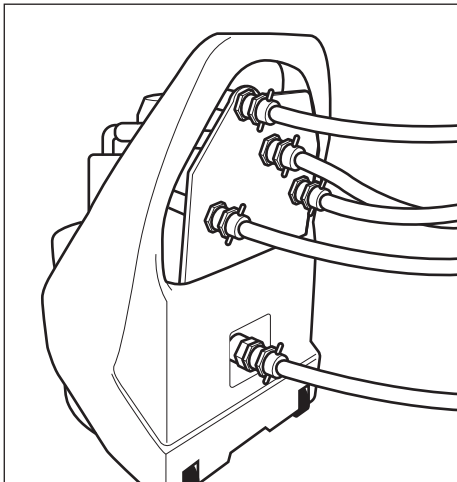
Section B – Using the Jetflush Rapid pump for power flushing

LOCATION AND CONNECTION OF THE FLUSHING PUMP (CONTINUED)

The connection point for the flushing pump may vary depending on the system to be cleaned, and the availability of suitable connection points.

However the optimum location is via the central heating circulation pump, using the special hoses supplied to connect across the pump unions.

Generally the unit should be located in a room with a suitable drain point, and near to a convenient mains water supply, such as a bathroom or kitchen. The cold water supply for a washing machine or dish-washing machine is a convenient source



when a mixer tap makes connection of a hose difficult. The normal precautions during work on any heating system should be taken, and it is prudent to place the pump on a waterproof groundsheet or drip tray.

1. Hose connections to the flushing pump

- 1a. Ensure that both valves are in the closed position (i.e. the valve handles are horizontal).
- 1b. The pump has two 5 metre flow and return hoses, fitted with $\frac{3}{4}$ " female brass hose connectors on either end of each hose.

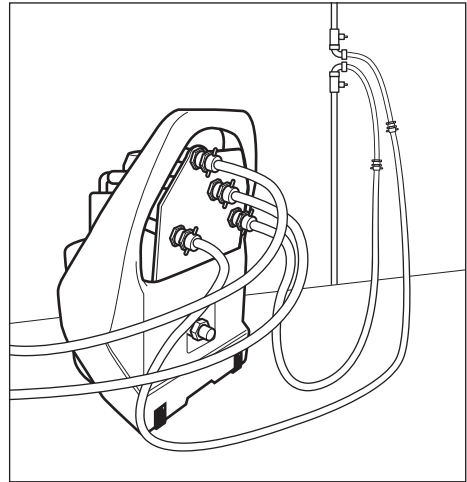
One end of both flow and return hoses should be screwed onto the corresponding $\frac{3}{4}$ " brass nipples on rear of the hose support plate. The other ends of these hoses will be connected into the heating system.

- 1c. Connect the overflow hose connector to the $\frac{3}{4}$ " BSP male overflow fitting on the rear of the pump tank, and lead to a suitable drain point.
- 1d. Connect the 8meter dump hose to the brass nipple on the reverse of the hose support plate, and lead the hose to a toilet pan or

Section B – Using the Jetflush Rapid pump for power flushing

drain pipe gully leading to a foul sewer.

- 1e. Connect mains water supply hose $\frac{3}{4}$ " BSP female hose connector to the $\frac{3}{4}$ " brass nipple on the rear of the hose support plate. Fill the tank with water to 10cm above the minimum liquid level, and then close the water inlet valve.
- 1f. Plug in the pump to a suitable 13 amp electricity supply fitted with an RCD adapter.



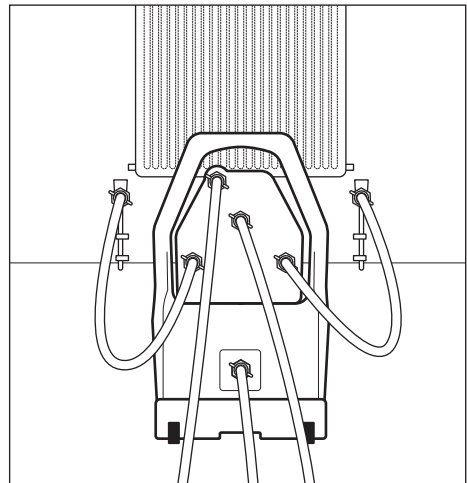
2. Hose connection to the system

Connect the flow and return hoses of the pump to the system at the selected point. This may be either:

- 2a. Across the $1\frac{1}{2}$ " BSP unions left once the circulating pump has been removed. The circulating pump isolating valves should be closed to isolate the flushing pump from the system until power flushing is commenced.

When used these are screwed directly onto the $\frac{3}{4}$ " female brass hose adaptors of the flow and return hoses.

- 2b. Across the "tails" of a radiator (having drained and



disconnected the radiator) using appropriate $\frac{1}{2}$ " or $\frac{3}{4}$ " BSP adaptors to connect to the valves. The radiator valves should be closed to isolate the flushing pump from the

Section B – Using the Jetflush Rapid pump for power flushing

system until power flushing is commenced. This is likely to be the least effective method due to the restrictive effect that valves (particularly thermostatic) may have on the flow rate.

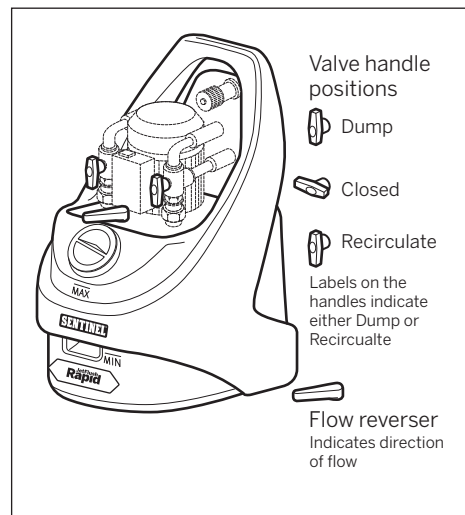
The above method is generally used on a combination boiler system.

- 2c. Across the flow and return connections at the boiler, isolating the boiler itself. This is the preferred method when flushing a heating system prior to installing a new boiler, as corrosion debris may be purged from the heating system before the new boiler is attached. This is important with all modern boilers, particularly so if the new boiler incorporates a plate type heat exchanger with complex and narrow water passages.

INITIAL FLUSHING PROCEDURE (WATER ONLY STAGE, BEFORE ADDITION OF CHEMICALS)

NOTE: In the following procedure, the pump is first used to loosen and mobilise loose silt and debris, before forcibly expelling it together with the existing heavily contaminated system water. This rids the system of as much debris and sludge at an early stage, before establishing full, chemically treated circulation through the flushing pump.

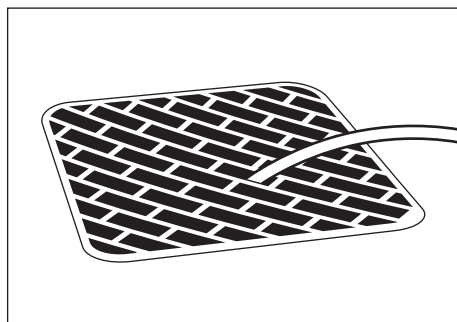
By removing loose corrosion products from the system before addition of any chemical, the full effect of the chemical is available to disturb, loosen, and dissolve more stubborn accumulations of debris.



Section B – Using the Jetflush Rapid pump for power flushing

1. Leave the pump tank cap loose, or on by no more than one turn if water splashes whilst flushing/ descaling (to allow gas to escape).
2. Until ready to commence powerflushing ensure that both valves are closed. When ready to commence, open both valves and open the isolating valves between flushing pump and heating system and switch on pump immediately. Ensure that liquid level in tank remains at least 10cm above the minimum mark, adding more water if necessary.
3. Allow the flushing pump to run for ten minutes, reversing the direction of flow regularly. If there is sludge and debris in the system, the water returning into the tank will be heavily discoloured as the high flow rate picks up looser debris.
4. Check all hoses and connections for leaks.
5. The pump has the ability to dump dirty water when the flow is in either direction.
 - 5a. Operate the flow reverser lever so that the water is flowing through the heating system in the same direction as it is during normal heating operation.
 - 5b. Rotate the valve on the return side through 180° so that the dump label is clearly visible.

By doing this, system water is diverted to waste down the dump hose, instead of returning back into the tank. The liquid level in the tank will immediately begin to fall.



- 5c. The mains water inlet supply (orange tap) should now be turned on and adjusted so that the volume of incoming water compensates for that being forced out of the system to waste. Continue dumping until the waste water runs relatively clear. Ensure that the water level in the tank remains at least 10cm above the minimum mark at all times.
- Change the pump into dumping mode as follows, remembering that the flow reverser is constructed so that the direction in which the lever points also indicates the direction of flow.

Section B – Using the Jetflush Rapid pump for power flushing

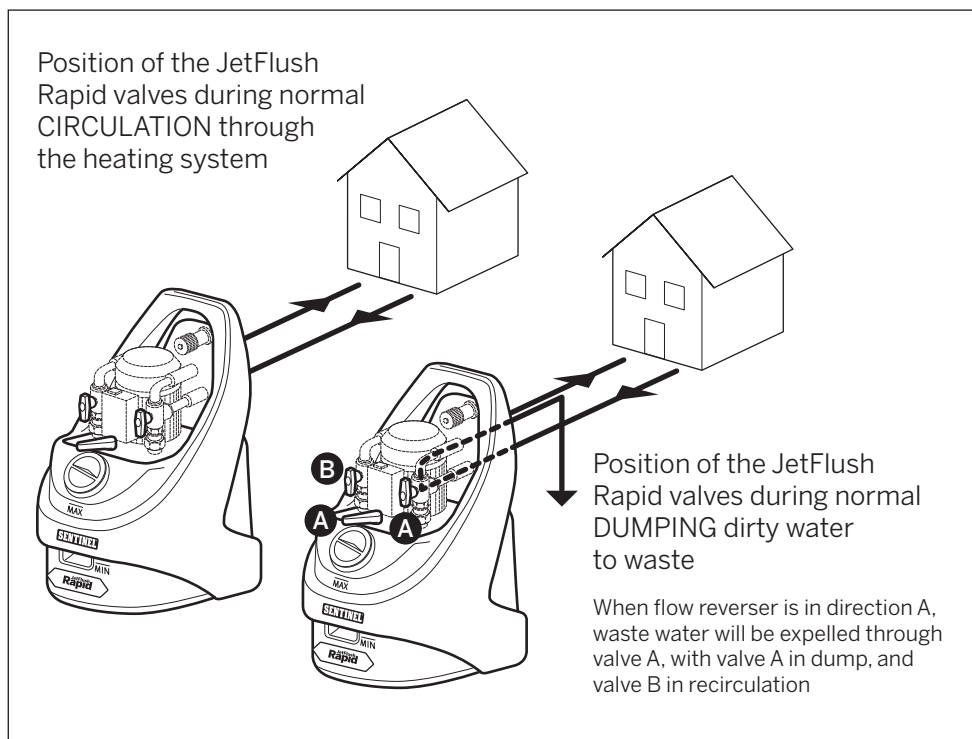
NOTE: If the mains water cannot keep up with the dump speed (i.e. the unit begins to empty) simply stop dumping until the tank fills up.

- Once the water remains reasonably clear, restore circulation by rotating the valve back through 180° into re-circulation mode.
- Check that the liquid level in the tank remains 10cm (4") above the

minimum mark. Add more water if necessary. Vent all radiators to ensure that there are no air pockets. Use a cloth to absorb any liquid expelled, as the system water may be discoloured and likely to stain.

- The flushing chemical may now be added.

Leave the pump tank cap loose, or on by no more than one turn, whilst flushing/descaling.



Section B – Using the Jetflush Rapid pump for power flushing

CHEMICAL FLUSHING PROCEDURE USING SENTINEL X800 FAST ACTING CLEANER



1. Switch on the JetFlush pump.
 2. Whilst re-circulating water through the pump and the heating system, slowly add 1 litre of Sentinel X800 Fast Acting Cleaner to the JetFlush Rapid tank, sufficient for 8 – 10 radiator (count double radiators as 2) system, (unless it was added on a prior visit), and ensure thorough distribution around the system.
 3. Switch on the boiler, if fitted, and in safe working order. Allow the system water to reach 50°C, and then switch boiler off.
- NOTE: Even boiler thermostat setting no.1 could exceed 50°C.**
4. Circulate throughout the complete system for half to one hour, reversing the flow direction regularly, and monitoring the system for leaks.
 5. Close off all radiators (one valve only), and allow the full flow to go through the coil in the cylinder (if present in the system).
 6. Reverse the flow regularly.
 7. Divert the full flow to the radiator circuit, in preparation to putting the full flow of the pump through each radiator in turn.
 8. Fully open both valves of the nearest radiator, on the ground floor, to the flushing pump.
 9. Flush this radiator, reversing the flow regularly, until all cold spots have disappeared, and the temperature across the radiator is consistent. Close the radiator valves.
- NOTE:** If your initial system check identified cold or partially blocked radiators, commence the individual radiator flushing procedure with the worst radiator first, progressing to less problematic radiators. This ensures that the strongest concentration of chemical is directed at the worst areas of the system.
10. Open the valves on the next radiator, and repeat the procedure.

Section B – Using the Jetflush Rapid pump for power flushing

11. Work through the rest of the radiators in turn, so that you have flushed every radiator individually, including upstairs radiators.
12. When you have flushed the last radiator, and it has an even temperature across the surface, switch the pump into dumping mode, as previously.
13. With only this radiator open, and the pump set to dump, run until the water leaving the dump hose is completely clear. Now operate the flow reverser and change the valves to dump in the opposite direction until clear. When dump water is clear, close radiator valve.
14. Go back to the previous radiator that you had flushed, ensure both valves are open, and repeat the dumping procedure on this one radiator, alternating the direction of flow in each direction as you dump. Close radiator valve.
15. Work your way back around the house in the opposite direction to previously, until you have carried out the dumping process on every radiator individually.
16. Now with the pump still set to dump direct the flow through the cylinder coil until it runs clear. Dump in the other direction until clear.
17. If you have a TDS meter (Total Dissolved Solids) it is useful to test the water at this stage.
18. The reading should be compared with a mains water sample reading, and the dumping process continued until both readings are within 5–10% of each other.
19. Return the flushing pump into normal re-circulation mode, re-open all radiator valves, and the cylinder coil, and move to page 20.

NOTE: When using Sentinel X800 Fast Acting Cleaner, there is no requirement to neutralise after the flushing process.

Section B – Using the Jetflush Rapid pump for power flushing

INHIBITION AND CORROSION PROTECTION



IMPORTANT

1. The system is now full of fresh, clean water, and in line with Building Regulations Part L Compliance Guide, a good quality corrosion inhibitor, such as Sentinel X100 Inhibitor, must be added to the system water to prevent further corrosion and scaling.

To comply with Benchmark documentation, inhibitors must have passed the Buildcert CIAS Scheme product performance standard and can be identified by this logo on the pack.



UPON COMPLETION

1. Restore system to normal, restoring radiator balance valves to original settings, removing any

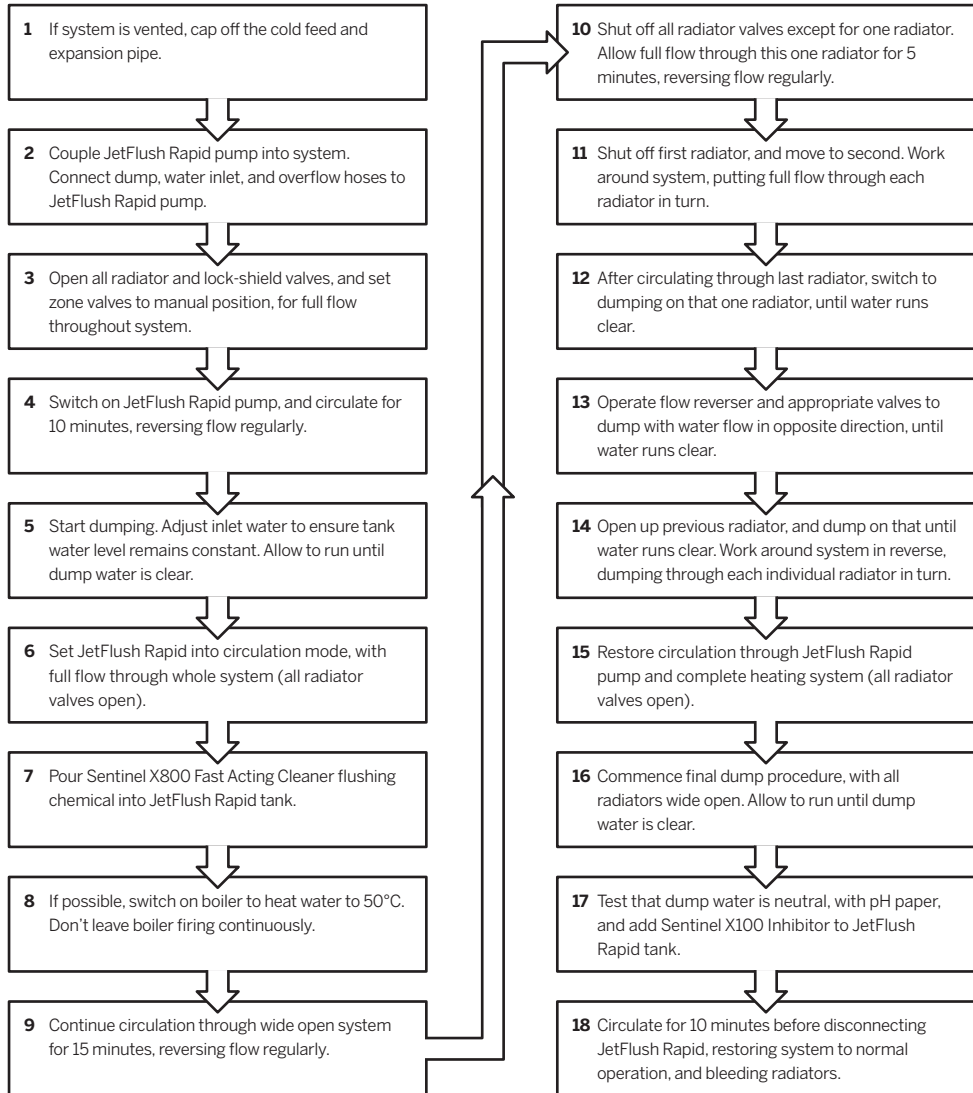
temporary isolating valves or caps on the expansion and cold feed pipes, and restoring non return valves to normal operation if necessary.

2. Before re-connecting the feed & expansion tank, it should be thoroughly cleaned, removing all traces of dirty water and sludge, and disinfected if necessary. The inhibitor may be added to the system by using the JetFlush pump as follows:
 3. Briefly open a dump valve to lower the water level in the tank to just above the minimum level, close the dump valve. Add the Sentinel X100 Inhibitor into the tank. Allow circulation through the system for ten minutes, isolate the flushing pump from the heating system, and switch off.
 4. If the system is vented, the residual water in the JetFlush tank, which will contain a small quantity of inhibitor, may be poured into a bucket and added to the F&E tank after this has been cleaned.

NOTE: In a pressurised system the inhibitor may be injected into the system using an injector, which will avoid wasting any inhibitor left in the tank.

Section B – Using the Jetflush Rapid pump for power flushing

QUICK GUIDE TO POWER FLUSHING WITH A JETFLUSH RAPID PUMP



Section B – Using the Jetflush Rapid pump for power flushing

RADIATOR VALVE SETTINGS

Use a photo-copy of this chart to note the radiator valve settings before commencing to power flush the system, so that the heating system can easily be re-instated afterwards, avoiding the need to rebalance the system.

Room	Number of turns of valve to fully closed position	
	Radiator valve	Balance/lockshield valve
Hall		
Cloakroom		
Kitchen		
Living room		
Dining room		
Downstairs hall		
Upstairs hall		
Bathroom		
Bedroom 1		
Bedroom 2		
Bedroom 3		
Bedroom 4		
Bathroom 2		
Other		
Other		

Section B – Using the Jetflush Rapid pump for power flushing

POWER FLUSHING SURVEY AND CHECK LIST

Date:

Address:

Name of householder/property owner:

Tel:

Why does system need flushing?

Recommendation by other company	Previous survey	New boiler installation
British Gas/other?		

Type of system:

Vented	Sealed	Fully pumped	Gravity hot water	Thermal store
(Need to cap off cold feed and expansion pipes)			(Is there a non return valve on return side of radiator circuit?) Can gravity circuit be closed off? Need valve to be fitted?	(Need to drain down and loop out cylinder, and flush radiator and boiler circuits separately)

Age of system:

Boiler	Radiators	Pipework

Section B – Using the Jetflush Rapid pump for power flushing

Type of boiler:

Conventional	Combi type	Condensing
Serial number:		If condensing boiler, is secondary heat exchanger aluminium?

Location of boiler:

Type of water cylinder:

None (combi system)	Conventional indirect	Primatic/Fortic	Thermal store
		(Need to drain down and loop out cylinder)	(Need to drain down, loop out cylinder, and flush radiator & boiler circuits separately)

Type of pipework:

Copper 15mm/22mm	Microbore	Single pipe	Steel pipe work?

If microbore system, are twin entry radiator valves fitted? If so, are all radiators completely warm when boiler fired? (i.e. are the radiator 'injector' tubes still fitted correctly?)

If single pipe system, is there circulation (heat) to all radiators? Cold radiators will need removal from system and individual flushing.

If elderly steel pipe work, is system sufficiently sound to power flush? (Or would it be better to re-pipe?)

Section B – Using the Jetflush Rapid pump for power flushing

Location of system circulator pump:

In boiler casing	Adjacent to boiler	In airing cupboard	Elsewhere?

Best location to connect JefFlush pump?

On to circulator pump fittings	On to radiator	Elsewhere?

Number of radiators?

Steel	Aluminium	Are they all getting warm?	TRVs fitted?	Any obvious signs of neglect/leaks?
			Yes/No	
Do all thermostatic radiator valves (TRVs) open fully?				

Are there zone valves? Where are they located?

Number of valves	Airing cupboard	Elsewhere

F&E tank

Location	Checked?	Condition?

Best place to connect onto for good fresh water supply?

Section B – Using the Jetflush Rapid pump for power flushing

Best place to locate power flushing pump?

Across circulator pump fittings	Across radiator tails	Across flow and return at boiler	Across flow and return pipe work from disconnected cylinder

Need to use drip tray?

Best place to run dump hose to?

Toilet	Outside drain	External hopper	Elsewhere?

Colour of heating system water, as run from bottom of a radiator?

Clear	Orange	Dark brown	Black

Section B – Using the Jetflush Rapid pump for power flushing

POWER FLUSH MONITORING FORM

Visual inspection of system water before power flush:

Clear	Orange	Dark brown	Black

Analysis results:

Test parameter	Mains water	System water before power flush	System water after power flush
pH			
Soluble iron (ppm)			
Soluble copper (ppm)			
Chloride (ppm)			
Hardness			
Inhibitor (ppm molybdate)			

TDS (Total Dissolved Solids) readings					
Mains water (ppm)				System water before flush (ppm)	
When checking dump water TDS from each radiator when dumping, note results below (ppm):					
Radiator 1		Radiator 8		Radiator 15	
Radiator 2		Radiator 9		Radiator 16	
Radiator 3		Radiator 10		Radiator 17	
Radiator 4		Radiator 11		Radiator 18	
Radiator 5		Radiator 12		Radiator 19	
Radiator 6		Radiator 13		Radiator 20	
Radiator 7		Radiator 14		Radiator 21	

Section B – Using the Jetflush Rapid pump for power flushing

Flushing chemical used:			
Deposit Remover		Sentinel X800 Fast Acting Cleaner	
Corrosion inhibitor used:			
Sentinel X100 Inhibitor			
Correct levels of Sentinel X100 Inhibitor should be checked with X100 Quick Test			

The undersigned has power flushed the system according to best industry practice and following procedures detailed in code of practice BS7593.	
Name:	Signature:
Date:	

Section C – Troubleshooting, Service & Repair

INTRODUCTION

When your JetFlush pump was first supplied it was flow and pressure tested after assembly to ensure that it would perform to a high standard. However, over time and use parts may have been physically damaged, worn out, or partially blocked by non-soluble matter.

If you are concerned that your pump may not be producing the same performance as when it left our factory there are a number of steps that you can take to test, and repair, your unit. These are listed below, they are not time consuming, do not require a high level of expertise and will not invalidate the warranty.

Trouble shooting/problem solving

A flow chart is included on the following pages to assist in diagnosing common problems that can be experienced on site. The chart and illustrated test are a useful guide in determining if a problem is related to the JetFlush pump or if it is a problem related to the heating system.

How to check your JetFlush's performance

We suggest these checks be conducted outside and not within a clients premises.

Test 1: Pressure Test

What you need: Pressure gauge 0–30 psi adapted to the appropriate BSP male.

1. Fill the tank ½ full of water.
2. Point the flow reverser lever to the left.
3. Position the left hand valve to "Circulate".
4. Position the right hand valve to "Dump".
5. Attach one supply/return hose to the BSP nipples. (short circuiting the flow).
6. Attach the dump hose as normal.
7. Holding the end of the dump hose away from you to a suitable discharge point, switch on the motor for five seconds. You should see a strong jet of water.
8. Attach the pressure gauge into the hose end and turn the motor on for 30 seconds. While the motor is running you should get a reading of 23–25psi.

Section C – Troubleshooting, Service & Repair

Test 2: Flow rate test

What you need: Empty clean 5 litre container.

1. Repeat steps 1–7 of test above.
2. Hold the dump hose so that it will discharge water into the empty container.
3. When ready, use an assistant to time how long it takes to fill the 5 litre container. You should get a reading of between 9–11 seconds.

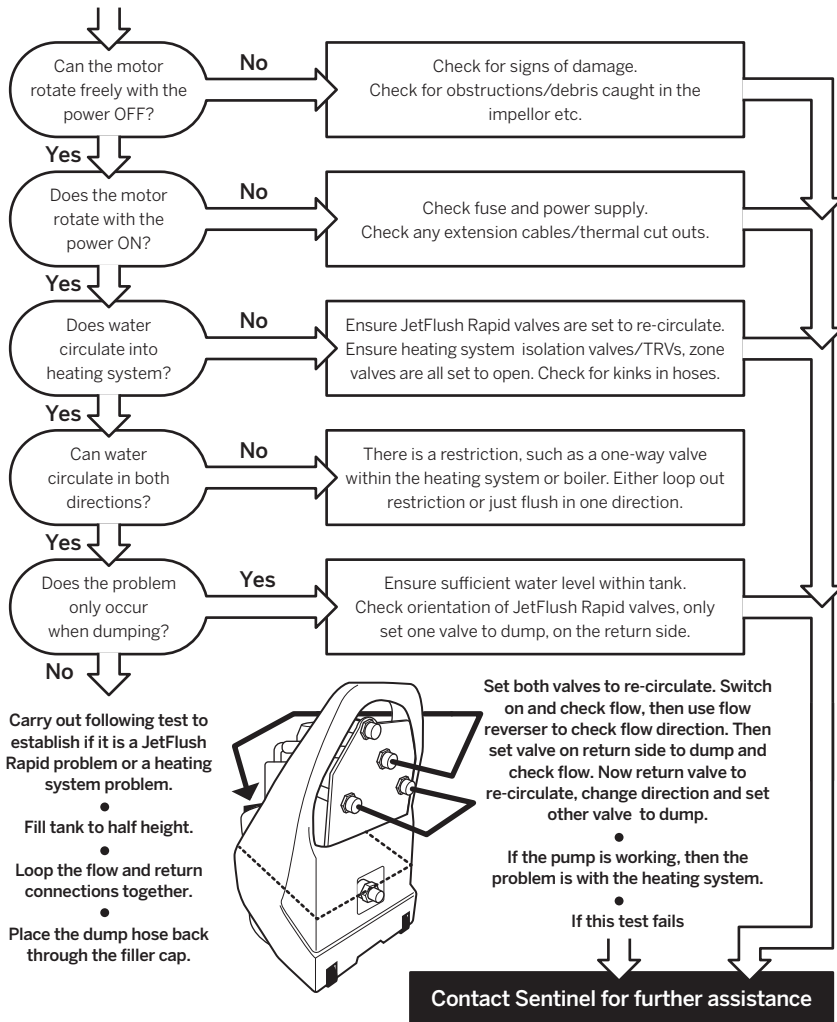
Inspection

1. Remove the 4 bolts that connect the flange to the tank.
2. Lift and withdraw the pump assembly from the tank.
3. Inspect the rotor cover at the bottom of the unit to ensure:
 - It is flat.
 - There are no bolts damaged or missing.
 - The O-ring is still in place and has not been pushed out.
4. Inspect the inside of the impeller to make sure that there is no debris inside.
5. Check all hose connection to ensure they are secure.

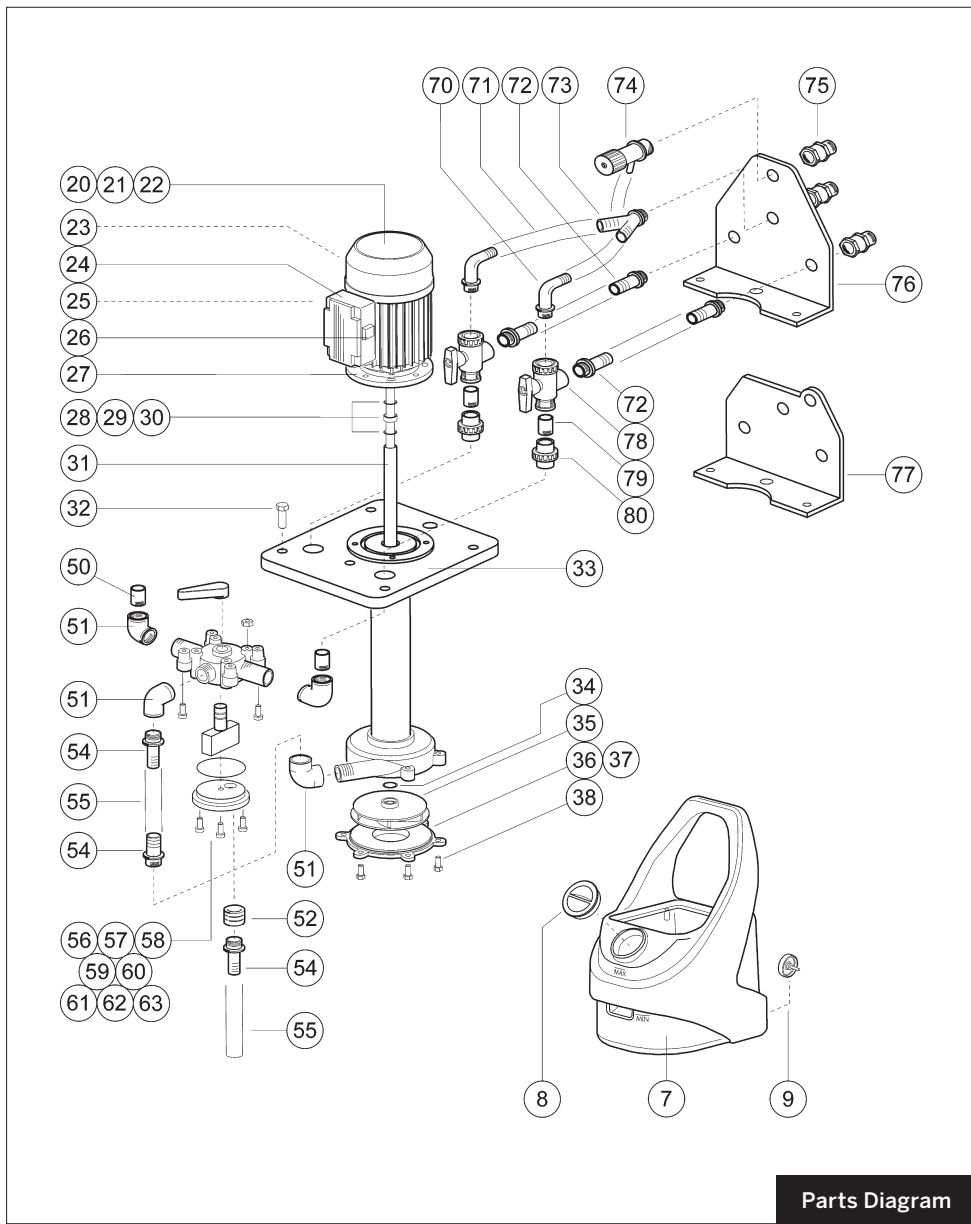
Section C – Troubleshooting, Service & Repair

PROBLEM SOLVING

Use the flow chart to determine any likely problem and then if necessary undertake the simple flow test to establish if the JetFlush pump is functioning. If the pump is circulating and dumping with a good flow rate then any problem must be related to the heating system.



Section C – Troubleshooting, Service & Repair



Section C – Troubleshooting, Service & Repair

JETFLUSH RAPID SPARES LIST

No. on Diagram	Product Code	Description
7	H04020K	JetFlush Moulded Tank
8	H04021K	JetFlush Tank Cap
9	H04022K	JetFlush wheel (each)
9	H04022KA	Axle for wheel (each)
20	H04002L22K	JetFlush Motor 230v
21	H04012KA	Fan cover
22	H04012KB	Motor Fan
23	H03002B	Motor Bearings
24	H03002F	Motor Switch Box
25	H03002D22	Capacitor 230v
26	H01502C	On/off switch for motor
27	H030HJ08	M8 x 40mm Brass Bolt
27	H030HJ07	M8 Brass Nut
27	H030HJ09	M8 Brass Washer
28	H03002A	Motor Shaft Circlip
29	H03006	White Arnite Bush
30	H03007	Drive Shaft 'O' Ring
31	H04014K	Drive Shaft Sleeve
32	H01507K	M12 PP Bolt
33	H04013K	Flange and Body
34	H0150211A	Impellor 'O' Ring
35	H04015K	Impellor
36	H04017K	Rotor Cover
37	H04016K	Rotor Cover 'O' Ring
38	H03012K	M10 PP Bolt

Section C – Troubleshooting, Service & Repair

No. on Diagram	Product Code	Description
50	H04018KF	¾" bsp Threaded Nipple – 45mm long
51	H03023	¾" bsp f/f elbow
52	H030F46	¾" bsp Threaded Socket
53	H030F11	¾" bsp m/f elbow
54	H090F04	¾" m x 19mm PP Hose adaptor
55	HH019X30	Clear Hose 19mm ID (per mtr)
56	H04018KA	Flow Reverser Handle
57	H04018KB	Flow Reverser Paddle
58	H04018KC	Flow Reverser Body
59	H04018KD	Flow Reverser Top Plate
60	H04018KE	'O' Ring for Reverser Top Plate
61	H03007	'O' Ring for Flow Reverser Paddle
62	MI022	M6 x 30mm Socket Cap Head Screw
70	H090F03	¾" m x 20mm 90° Hose Adaptor
71	HH019X30	Clear Hose 19mm ID (per mtr)
72	H090F04	¾" m x 19mm PP Hose Adaptor
73	H030HJ06	¾" m x 20mm 'Y' piece Hose Adaptor
74	H190F16	¾" x 19mm Water Inlet Tap
75	H090F06	¾" f x ¾" m Brass Adaptor
77	H04024K	JetFlush Hose Support Bracket
78	H090F01	¾" Single Union L Port Valve
79	H04023K	¾" bsp Threaded Nipple – 35mm long
80	H04019K	¾" bsp Union

JETFLUSH RAPID HOSE COMPONENTS

No. on Diagram	Product Code	Description
	HH016X30	Clear hose 16mm ID per metre (state length)
	HH013X30	Yellow hose 13mm ID per metre (state length)
	H030F03	¾" f x 16mm brass hose adaptor
	H090F10	¾" f x 13mm brass hose adaptor
	H030F13A#	Worm drive clip, 16–25mm
	H030F13	Worm drive clip, 12–22mm
	H030F04	¾" m x 16mm PP hose adaptor
	H030F11	¾" m/f elbow
	H030F47	¾" f x 16mm PP hose adaptor
Components for connection of flow & return hose across the 1½" BSP unions left once the circulating pump has been removed		
	H030F07	¾" brass nipple
	H030F11	¾" male/female PP elbow
	H0030F19	1½" male x ¾" female brass reducing bush

JETFLUSH RAPID HOSE ASSEMBLIES

No. on Diagram	Product Code	Description
	HHCF3DH	8mtr dump hose
	HHCF4FR	5mtr supply and return hoses (pair)
	HHCF3OH	3mtr overflow hose
	HHCF9WI	8mtr water inlet hose



JetFlush Rapid



GUARANTEE REGISTRATION

Please complete and return to Sentinel to register for your 2 year guarantee.

Alternatively, you can register online at
<http://www.sentinelprotects.com/uk/guarantee-registration>
 and select JetFlush Rapid. Full Terms and Conditions can also be found
 on the website.

Company

Address

.....

.....

Postcode

Telephone

Email

Place of purchase

Date of purchase

Sentinel Performance Solutions Ltd and its sister companies may wish to send you information on products, services and promotions in the future. If you would like to receive communications please tick here – via Post Email Telephone

RETURN COMPLETED FORM TO:

Sentinel Performance Solutions Ltd, 7650 Daresbury Park, Warrington, Cheshire, WA4 4BS

Section A – Introduction	Page
Informations techniques	36
Mesures de sécurité	37
Contenu du kit JetFlush Rapid	38
Section B – Utilisation de la pompe JetFlush Rapid pour le nettoyage/désembouage	Page
Introduction	39
Inspection et préparation de l'installation	39
Possibilités de raccordement de la pompe JetFlush Rapid	41
Procédure de rinçage initial à l'eau avant l'ajout d'additifs	44
Procédure de désembouage avec les nettoyants Sentinel appropriés : Sentinel X400, Sentinel X800...	47
Inhibition et protection contre la corrosion	49
Fin de la procédure	49
Utiliser la pompe JetFlush Rapid avec Sentinel CalSanit pour détartrer les chaudières et les échangeurs	50
Guide pratique pour le nettoyage/désembouage avec une pompe JetFlush Rapid	52
Réglages des vannes de radiateurs	53
Rapport de nettoyage/désembouage	54
Formulaire de contrôle de nettoyage/désembouage	57
Section C – Dépannage, entretien et réparation	Page
Introduction	59
Résolution des problèmes	61
Schéma des pièces	62
Liste des pièces détachées JetFlush Rapid	63
Bon de garantie	67

Section A – Introduction

INFORMATIONS TECHNIQUES

Sentinel JetFlush Rapid™

Type de pompe	Centrifuge à couplage direct
Moteur	0.50 HP, 220v
Indice de protection	IP55
Alimentation	Continue
Température	0°C à 75°C
Dimensions	Largeur 390mm, Profondeur 440mm, Hauteur 690mm
Capacité du réservoir (niveau max)	39 litres
Poids (sans tuyaux)	17 kg

L'appareil peut être utilisé sur une alimentation de 13 ampères.

MESURES DE SÉCURITÉ

ATTENTION! La pompe à désembouer JetFlush Rapid ne doit être utilisée que par des installateurs /chauffagistes ou techniciens de maintenance qualifiés. Veuillez lire toutes les instructions, y compris ce manuel et toute autre information livrée avec la JetFlush avant toute utilisation et mise en service. Respecter l'ordre des étapes de mise en œuvre : le non-respect pourrait entraîner des blessures ou des dommages matériels importants.

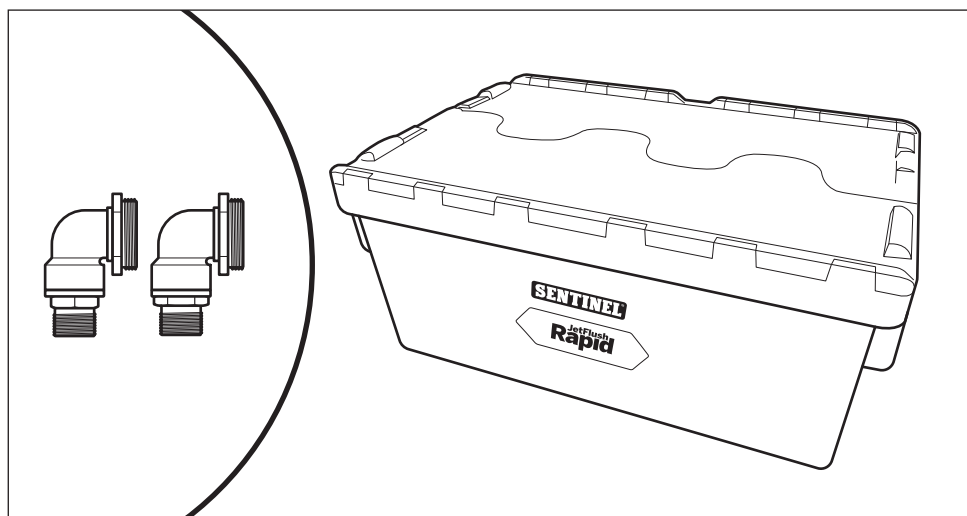
- Prendre toutes les précautions nécessaires pour assurer un environnement de travail sûr lors des interventions.
- Prendre garde lors de la manipulation d'éléments volumineux et lourds.
- Vérifier régulièrement que les câbles ne sont pas endommagés ou usés. Tous les ans, contrôler le bon état du circuit électrique de l'appareil.
- Lors de l'utilisation de produits chimiques, veillez à toujours porter des vêtements de protection, des gants et des lunettes.
- Utiliser dans un endroit bien ventilé.

Section A – Introduction

CONTENU DU KIT JETFLUSH RAPID

Le Kit comprend les éléments suivants :

- La pompe JetFlush Rapid
- 2 tuyaux de départ et retour de 5m (ø16mm)
- 1 tuyau de vidange de 8m de (ø16mm)
- 1 tuyau de trop-plein de 3m (ø16mm)
- 1 tuyau d'arrivée d'eau de 8m (ø13mm)
- Adaptateurs pour circulateur
 - 2 raccords en laiton filetés ¾" (20/27)
 - 2 coudes PP mâle/femelle ¾"
 - 2 douilles de réduction en laiton 1½" M vers ¾" F



Section B – Utilisation de la pompe JetFlush Rapid pour le nettoyage/désembouage

INTRODUCTION

La pompe à désembouer JetFlush Rapid est conçue pour nettoyer les installations de chauffage central sans nécessité de déposer les radiateurs en faisant circuler à grande vitesse des additifs chimiques et de l'eau dans l'installation. L'eau sale, chargée de débris, sera ensuite vidangée grâce à un puissant jet d'eau claire. Les radiateurs peuvent donc être nettoyés et rincés, un par un, sans être démontés ou déposés.

Avec un moteur monophasé de 220V, la pompe peut être branchée sur une prise standard.

INSPECTION ET PRÉPARATION DE L'INSTALLATION

1. Chaudière allumée, identifier les problèmes de circulation, les radiateurs froids ou présentant des points froids en partie basse... Eteindre la chaudière.
2. Noter sur une copie de la feuille de relevés fournie le nombre de tours de clés nécessaires pour fermer les radiateurs et les tés de retour. Conserver ces paramètres afin de pouvoir les rétablir après le nettoyage et éviter de déséquilibrer le circuit. Ouvrir complètement les vannes de chaque côté des radiateurs.
3. Régler les vannes thermostatiques en position ouverte. Retirer les têtes et vérifier que la tige en acier du presse-étoupe bouge. Vérifier également que les vannes de zone sont en position complètement ouverte, en réglant manuellement si nécessaire.
4. En cas de présence d'un clapet anti-retour, celui-ci doit être bypassé pour permettre l'inversion du flux. Il est possible que le clapet anti-retour puisse être démonté pour enlever les composants internes qui empêchent la circulation.
5. Pour les systèmes ouverts, il est nécessaire de fermer ou mettre en boucle les tuyaux d'expansion et d'alimentation d'eau froide afin d'éviter le remplissage de la pompe à désembouer et le débordement du réservoir d'expansion.

Section B – Utilisation de la pompe JetFlush Rapid pour le nettoyage/désembouage

Les tuyaux peuvent être fermés avec des bouchons Push-Fit ou une vanne d'isolement temporaire à compression.

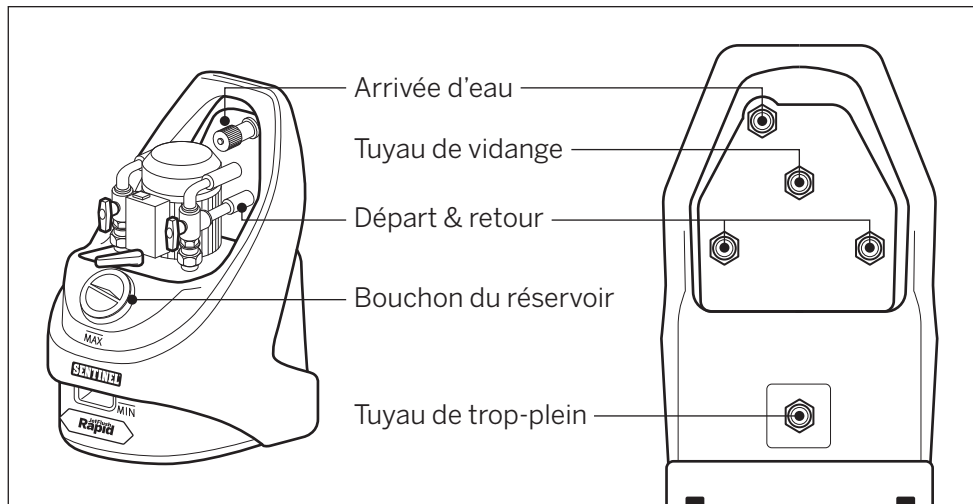
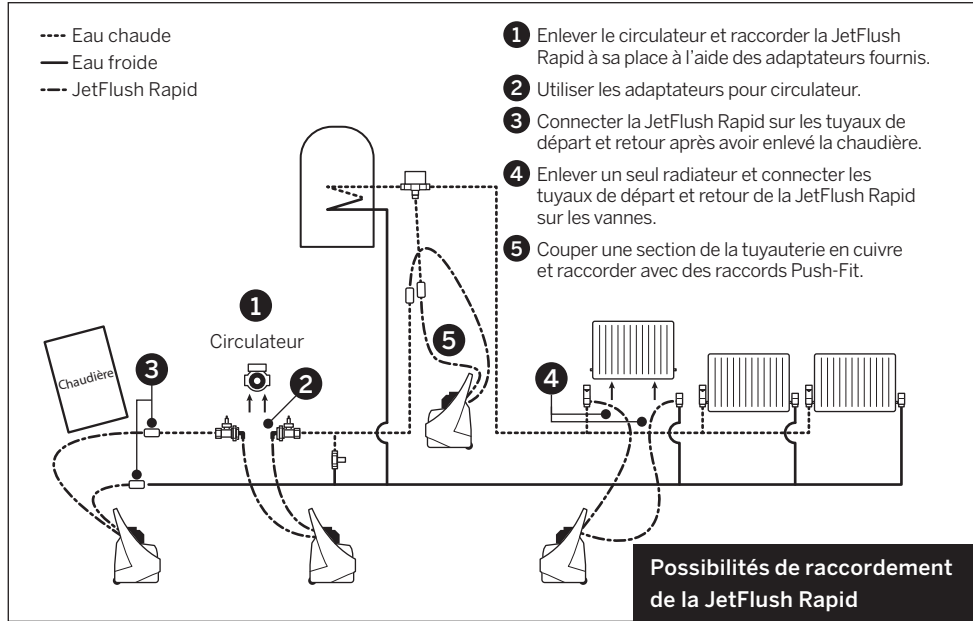
NOTE 1 : Le nettoyage ne sera efficace que si les tuyaux de départ et retour sont branchés pour ne pas bypasser les circuits à nettoyer. Sinon, les dépôts anciens et durcis ne pourront être éliminés.

NOTE 2 : La connexion peut être réalisée sur n'importe quel tube robuste et flexible, à condition qu'elle intègre une vanne pour fermer le circuit lors du nettoyage radiateur par radiateur.

Toute modification n'étant qu'une mesure temporaire, les paramètres initiaux doivent être restaurés après le nettoyage.

Section B – Utilisation de la pompe JetFlush Rapid pour le nettoyage/désembouage

POSSIBILITÉS DE RACCORDEMENT DE LA POMPE JETFLUSH RAPID



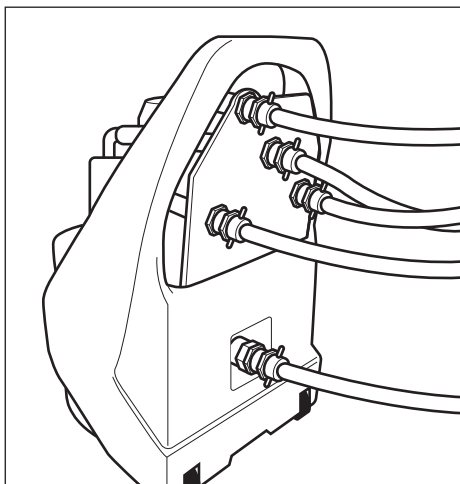
Section B – Utilisation de la pompe JetFlush Rapid pour le nettoyage/désembouage

POSSIBILITÉS DE RACCORDEMENT DE LA POMPE JETFLUSH RAPID (SUITE)

Le point de raccordement de la pompe à désembouer dépend de l'installation à nettoyer et de l'accessibilité des points de connexion appropriés.

Cependant, le meilleur emplacement se trouve sur la tuyauterie la plus large, c'est-à-dire au niveau du circulateur de l'installation, du départ et retour de la chaudière ou au niveau d'un collecteur.

Généralement, la pompe JetFlush Rapid doit être placée dans une pièce disposant d'un point de vidange approprié et à proximité d'une arrivée d'eau, comme une salle de



bains ou une cuisine. Vous pouvez également vous raccorder à l'arrivée d'eau d'un lave-vaisselle ou d'un lave-linge lorsque qu'un mélangeur rend le raccordement difficile.

Toutes les précautions d'usage sont requises lors d'une intervention sur une installation de chauffage, il est donc prudent de placer la pompe sur une bâche imperméable ou dans un bac de rétention.

1. Raccordement des tuyaux à la pompe à désembouer

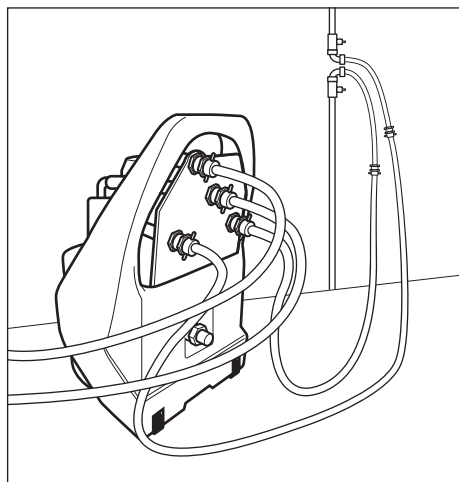
- 1a. S'assurer que les deux vannes d'isolement sont en position fermée (poignées à l'horizontal).
- 1b. La pompe dispose de deux tuyaux de départ et retour de 5 mètres, munis de raccords en laiton femelle $\frac{3}{4}$ " à chaque extrémité. Visser une extrémité des tuyaux de départ et de retour dans les raccords filetés en laiton $\frac{3}{4}$ " correspondants, à l'arrière de la pompe. L'autre extrémité de ces tuyaux devra être raccordée à l'installation de chauffage.
- 1c. Connecter le raccord du tuyau de trop-plein au raccord fileté $\frac{3}{4}$ " mâle à l'arrière du réservoir, et placer le tuyau dans un point de vidange approprié.

Section B – Utilisation de la pompe JetFlush Rapid pour le nettoyage/désembouage

1d. Raccorder le tuyau de vidange de 8 mètres au raccord en laiton à l'arrière de la pompe et placer le tuyau dans la cuvette WC ou dans l'évacuation vers le tout à l'égout.

1e. Connecter le raccord $\frac{3}{4}$ " femelle du tuyau d'arrivée d'eau au raccord $\frac{3}{4}$ " fileté laiton, à l'arrière de la pompe. Remplir d'eau le réservoir, 10cm au-dessus du niveau minimum, et fermer la vanne d'arrivée d'eau.

1f. Brancher la pompe à une prise de type E ou F 220 V.

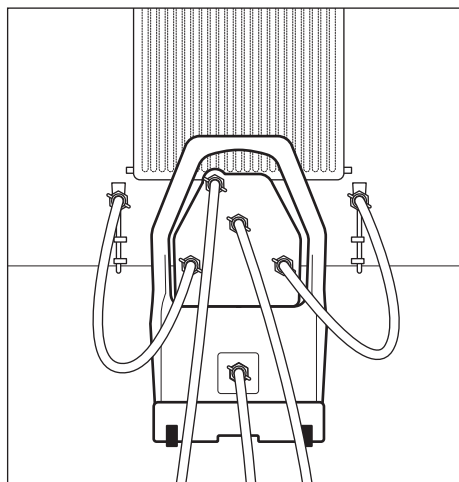


2. Raccordement des tuyaux à l'installation

Connecter les tuyaux de départ et retour de la pompe à un point de l'installation, tel que :

2a. les raccords filetés $1\frac{1}{2}$ " après avoir retiré le circulateur. Les vannes d'isolement du circulateur doivent être fermées pour isoler la JetFlush Rapid jusqu'au début du nettoyage.

Lorsqu'ils sont utilisés, visser les raccords $1\frac{1}{2}$ " directement sur les raccords laiton $\frac{3}{4}$ " femelles des tuyaux de départ et retour.



2b. les extrémités d'un radiateur (après qu'il a été vidangé et isolé) en utilisant les raccords appropriés $1\frac{1}{2}$ " ou $\frac{3}{4}$ " pour connecter les vannes. Les vannes de radiateurs doivent être

Section B – Utilisation de la pompe JetFlush Rapid pour le nettoyage/désembouage

fermées pour isoler la JetFlush Rapid de l'installation jusqu'au début du nettoyage.

Cette méthode est probablement la moins efficace car les vannes (notamment thermostatiques) peuvent réduire le débit. Elle est généralement utilisée sur installation avec chaudière combinée.

- 2c. le départ et retour de la chaudière, en isolant la chaudière. Il s'agit de la méthode idéale pour nettoyer/désembouage une installation avant d'installer une nouvelle chaudière : elle permet d'éliminer tous les débris de corrosion avant le remplacement. Ce procédé

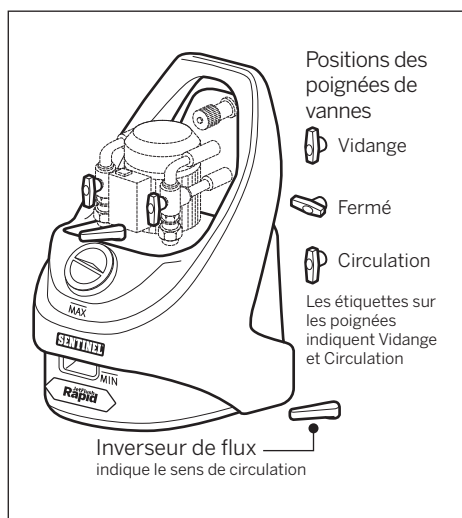
est essentiel avec les chaudières modernes, en particulier si la nouvelle chaudière intègre un échangeur à plaques avec des passages d'eau complexes et étroits. Si la chaudière existante est conservée, la nettoyer dans un second temps en se connectant sur le départ/retour.

PROCÉDURE DE RINÇAGE INITIAL À L'EAU AVANT L'AJOUT D'ADDITIFS

REMARQUE : Dans la procédure suivante, la pompe est tout d'abord utilisée pour mettre en circulation les boues et débris, avant de les vidanger avec l'eau sale de l'installation. Cette étape élimine autant de boues et de débris que possible, avant un nettoyage complet réalisé avec des additifs et la JetFlush Rapid.

Éliminer les débris et boues en circulation dans l'installation avant l'ajout d'additifs permet d'accroître leurs effets pour dissoudre, mettre en suspension et éliminer les dépôts de corrosion plus compacts et résistants.

1. Laisser le bouchon du réservoir ouvert ou le fermer d'un quart de tour seulement en cas de projections d'eau pendant le nettoyage ou détartrage (pour permettre l'aération).



Section B – Utilisation de la pompe JetFlush Rapid pour le nettoyage/désembouage

2. Avant de procéder au nettoyage, vérifier que les deux vannes sont fermées (poignées en position horizontale). Ouvrir les vannes d'isolement entre la pompe JetFlush Rapid et l'installation de chauffage et allumer la pompe immédiatement. S'assurer que le niveau d'eau dans le réservoir est au moins 10cm au-dessus de l'indicateur de minimum, ajouter de l'eau si nécessaire.
3. Ouvrir les 2 vannes et démarrer la pompe à désembouer puis vérifier que tous les tuyaux sont étanches.
4. Laisser la pompe à désembouer fonctionner pendant 10 minutes, en inversant le sens de circulation régulièrement. Si l'installation contient des boues et des débris, l'eau dans le réservoir va s'assombrir car la puissance du débit entraîne les débris en suspension.
5. La pompe peut vidanger l'eau contaminée dans les deux sens de circulation.

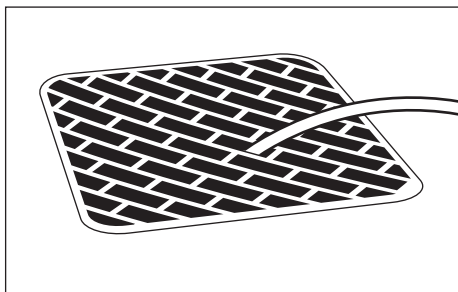
Passer en mode Vidange, comme indiqué ci-dessous, sachant que l'inverseur de flux est conçu de telle sorte que la poignée pointe vers le sens de circulation.

- 5a. Actionner la poignée de l'inverseur de flux de sorte que

l'eau circule dans l'installation dans le même sens qu'en fonctionnement normal.

- 5b. Tourner la vanne **de retour à 180° de sorte que l'étiquette Vidange soit clairement visible.**

Ainsi, l'eau de l'installation passe dans le tuyau de vidange au lieu de retourner dans le réservoir. Le niveau d'eau dans le réservoir diminue immédiatement.



- 5c. Ouvrir l'arrivée d'eau du réseau et la régler de sorte que le volume d'eau entrant compense le volume vidangé. Continuer à vidanger jusqu'à ce que l'eau de vidange soit relativement claire. S'assurer que le niveau d'eau dans le réservoir reste toujours au moins 10cm au-dessus de l'indicateur de minimum.

REMARQUE : Si la vitesse de l'eau du réseau ne suit pas la vitesse de vidange (c'est-à-dire que le

Section B – Utilisation de la pompe JetFlush Rapid pour le nettoyage/désembouage

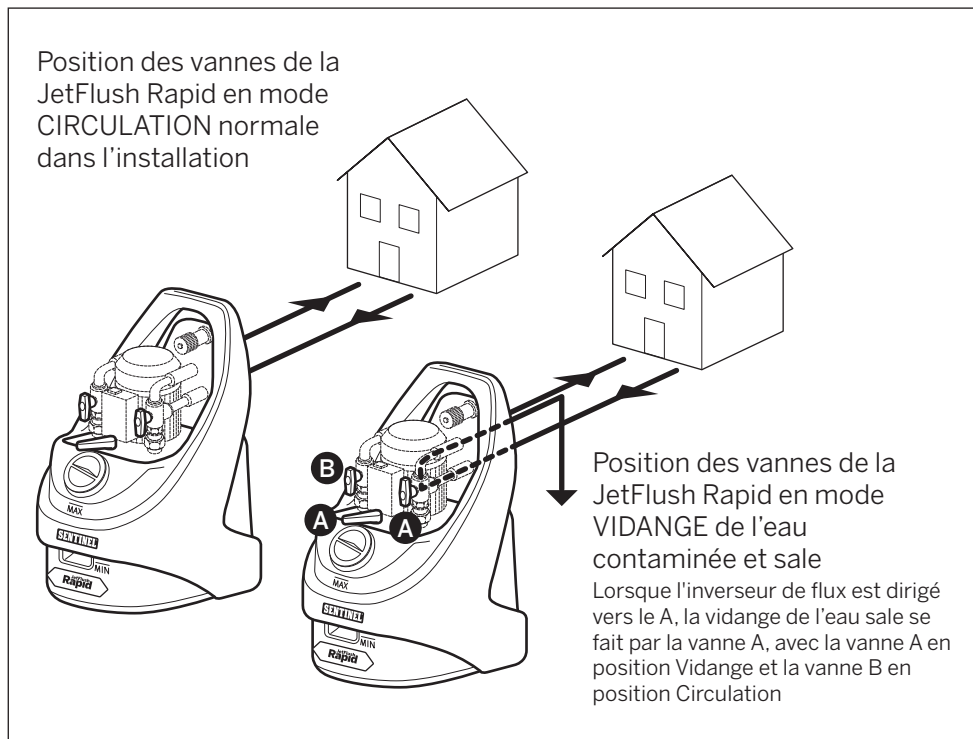
réservoir se vide), arrêter tout simplement la vidange jusqu'à ce que le réservoir se remplisse.

- Une fois que l'eau est suffisamment claire, rétablir la circulation en retournant la vanne de retour de 180°, en mode Circulation.
- Vérifier que le niveau d'eau dans le réservoir reste au moins 10cm au-dessus de l'indicateur de minimum. Ajouter de l'eau si nécessaire.

Purger tous les radiateurs pour qu'il ne subsiste aucune poche d'air. Essuyer avec un chiffon toute éclaboussure d'eau car l'eau de l'installation vidangée peut être sale et peut tâcher.

- Maintenant, ajouter les nettoyants chimiques.

Laisser le bouchon du réservoir de la pompe ouvert ou le fermer d'un quart de tour pendant le nettoyage ou détartrage.



Section B – Utilisation de la pompe JetFlush Rapid pour le nettoyage/désembouage

PROCÉDURE DE DÉSEMBOUAGE AVEC LES NETTOYANTS SENTINEL APPROPRIÉS : SENTINEL X400, SENTINEL X800...



1. Allumer la pompe à désembouer JetFlush Rapid.
2. Alors que l'eau circule de la pompe à l'installation de chauffage, ajouter lentement 1 litre de Sentinel X400 ou X800 dans le réservoir de la JetFlush Rapid (à moins qu'il n'ait déjà été injecté lors d'une précédente visite). Un litre suffit à traiter une installation de 100L. S'assurer de la parfaite distribution dans l'installation.
3. Allumer la chaudière, si elle est installée et en état de fonctionner. Laisser la température de l'eau de l'installation atteindre 50°C et éteindre la chaudière.
4. Faire circuler dans l'ensemble de l'installation pendant 30 minutes à 1 heure, inverser le flux régulièrement, et vérifier qu'il n'y a pas de fuites.
5. Fermer tous les radiateurs et/ou boucle de plancher chauffant (une seule vanne) et nettoyer le corps de chauffe et l'échangeur sanitaire.
6. Inverser le flux régulièrement.
7. Basculer totalement la circulation vers les radiateurs ou boucles de plancher chauffant.
8. Ouvrir complètement les 2 vannes de la boucle ou du radiateur au rez-de-chaussée, le plus proche de la JetFlush Rapid.
9. Nettoyer ce radiateur, inverser le flux régulièrement jusqu'à ce que les dépôts de boues soient éliminés, que les points froids aient disparu et que la température des radiateurs soit uniforme. Fermer les vannes du radiateur.

REMARQUE : Même le réglage minimum du thermostat de la chaudière peut entraîner une température d'eau au-delà des 50°C.

REMARQUE : Si le contrôle préalable de l'installation révèle l'existence de radiateurs obstrués ou froids, démarrer le nettoyage boucle par boucle des radiateur, du plus emboué au moins problématique,

Section B – Utilisation de la pompe JetFlush Rapid pour le nettoyage/désembouage

afin que la plus forte concentration de nettoyant s'attaque aux zones les plus embouées.

jusqu'à finaliser la procédure de vidange et de rinçage de chaque radiateur un par un.

10. Ouvrir les vannes du radiateur suivant et répéter la procédure.
11. Répéter la même procédure de nettoyage pour chaque radiateur individuellement, y compris ceux situés à l'étage.
12. Après avoir nettoyé le dernier radiateur, et que sa température est uniforme, passer la pompe en mode Vidange.
13. Avec ce seul radiateur ouvert et la pompe en mode Vidange, laisser couler l'eau du tuyau de vidange jusqu'à ce qu'elle soit parfaitement claire. Inverser le flux et tourner les vannes de vidange dans le sens opposé. Lorsque l'eau de vidange est claire, fermer la vanne du radiateur.
14. Retourner à l'avant-dernier radiateur et s'assurer que les vannes sont ouvertes. Puis, répéter la procédure de vidange sur ce radiateur dans les deux sens de circulation. Fermer la vanne du radiateur.
15. Continuer la vidange de chaque partie de l'installation (dans l'ordre inverse du nettoyage)
16. Avec la pompe toujours en mode Vidange, faire circuler l'eau dans les deux sens de circulation dans la chaudière jusqu'à ce que l'eau soit claire.
17. Si vous avez un testeur TDS (Conductimètre), vérifier la qualité de l'eau.
18. Comparer le résultat avec celui de l'échantillon d'eau du réseau et continuer le rinçage jusqu'à ce que le résultat ne dépasse pas 5-10% de la valeur de l'eau du réseau.
19. Repasser la pompe en mode Circulation, rouvrir les vannes de tous les radiateurs et la chaudière.

REMARQUE : Avec Sentinel X400 ou Sentinel X800, il n'est pas nécessaire de neutraliser après le nettoyage.

Section B – Utilisation de la pompe JetFlush Rapid pour le nettoyage/désembouage

INHIBITION ET PROTECTION CONTRE LA CORROSION



IMPORTANT

1. Une fois l'installation nettoyée selon la procédure ci-dessus et remplie d'eau propre, ajouter l'Inhibiteur haute performance Sentinel X100 pour protéger l'installation contre la corrosion et le calcaire.

Pour ajouter l'Inhibiteur Sentinel X100 avec la pompe à désembouer JetFlush Rapid, procéder comme suit :

2. Ouvrir brièvement une vanne de vidange pour réduire le volume d'eau dans le réservoir (juste 10cm au-dessus de l'indicateur de minimum) et refermer la vanne. Ajouter l'Inhibiteur Sentinel X100 dans le réservoir. Laisser circuler dans l'installation pendant 10 minutes, puis isoler la pompe à désembouer de l'installation et l'éteindre.

FIN DE LA PROCÉDURE

Rétablir les paramètres initiaux de l'installation et les réglages originels des vannes de radiateurs tout en enlevant les vannes d'isolement temporaires. Remettre les clapets anti-retour en état de fonctionnement normal, si nécessaire.

REMARQUE : Dans une installation pressurisée, l'inhibiteur peut être injecté à l'aide d'un kit ou d'une pompe d'injection afin d'éviter qu'il n'en reste dans le réservoir de la pompe.

Section B – Utilisation de la pompe JetFlush Rapid pour le nettoyage/désembouage

UTILISER LA POMPE JETFLUSH RAPID AVEC SENTINEL CALSANIT POUR DÉTARTRE LES CHAUDIÈRES ET LES ÉCHANGEURS



PROCÉDURE DE DÉTARTRAGE

Mesures de sécurité :

Lors de la manipulation de détartrants, toujours porter des vêtements et des lunettes de protection et respecter les instructions pour l'utilisation de ces produits.

SUIVRE LES INSTRUCTIONS CI-DESSOUS POUR ÉVITER TOUT PROBLÈME DE FONCTIONNEMENT OU D'ENTRETIEN

1. Remplir le réservoir avec une quantité suffisante de solution détartrante Sentinel CalSanit pour que le boîtier du rotor de la pompe soit immergé pendant l'utilisation. Il existe un indicateur de minimum sur le réservoir.
2. Visser soigneusement les extrémités des tuyaux de départ et retour à l'installation ou composant à détartrer en utilisant des raccords filetés et du ruban PTFE, si nécessaire. Brancher la pompe sur une prise de terre 220V 50Hz.
3. Allumer la pompe et vérifier que le niveau de solution détartrante reste toujours au-dessus du boîtier du rotor puisqu'une partie du contenu du réservoir passe dans l'appareil à détartrer, en particulier quand la capacité globale de l'installation à détartrer est supérieure à la capacité du réservoir de la pompe. Si nécessaire, ajouter plus de solution détartrante ou de l'eau. Vérifier qu'il n'y a aucune fuite au niveau des raccords.
4. Pendant l'utilisation, le bouchon du réservoir doit rester entrouvert et **ne doit pas être vissé à plus d'un quart de tour**, pour permettre l'évacuation des gaz produits pendant le détartrage. Vérifier que la mousse ne dépasse pas le niveau de remplissage maximum du réservoir. Grâce à l'inverseur de flux, le détartrage peut s'effectuer dans les deux sens de circulation. Pendant le détartrage, inverser le flux régulièrement afin de réduire le

Section B – Utilisation de la pompe JetFlush Rapid pour le nettoyage/désembouage

temps de détartrage, éliminer efficacement les dépôts solides et nettoyer une tuyauterie presque totalement obstruée.

5. On considère que le détartrage est terminé lorsqu'il n'y a plus de bulles dans le tuyau de retour alors que la solution détartrante est toujours acide.

Il est recommandé de bien reboucher tous les bidons de produits chimiques lorsqu'ils ne sont pas utilisés. Par précaution et afin d'éviter les éclaboussures, les installateurs et techniciens de maintenance devront éviter de se tenir face à l'ouverture des bidons de produits chimiques ou l'ouverture de la pompe lorsqu'ils les versent ou les ajoutent.

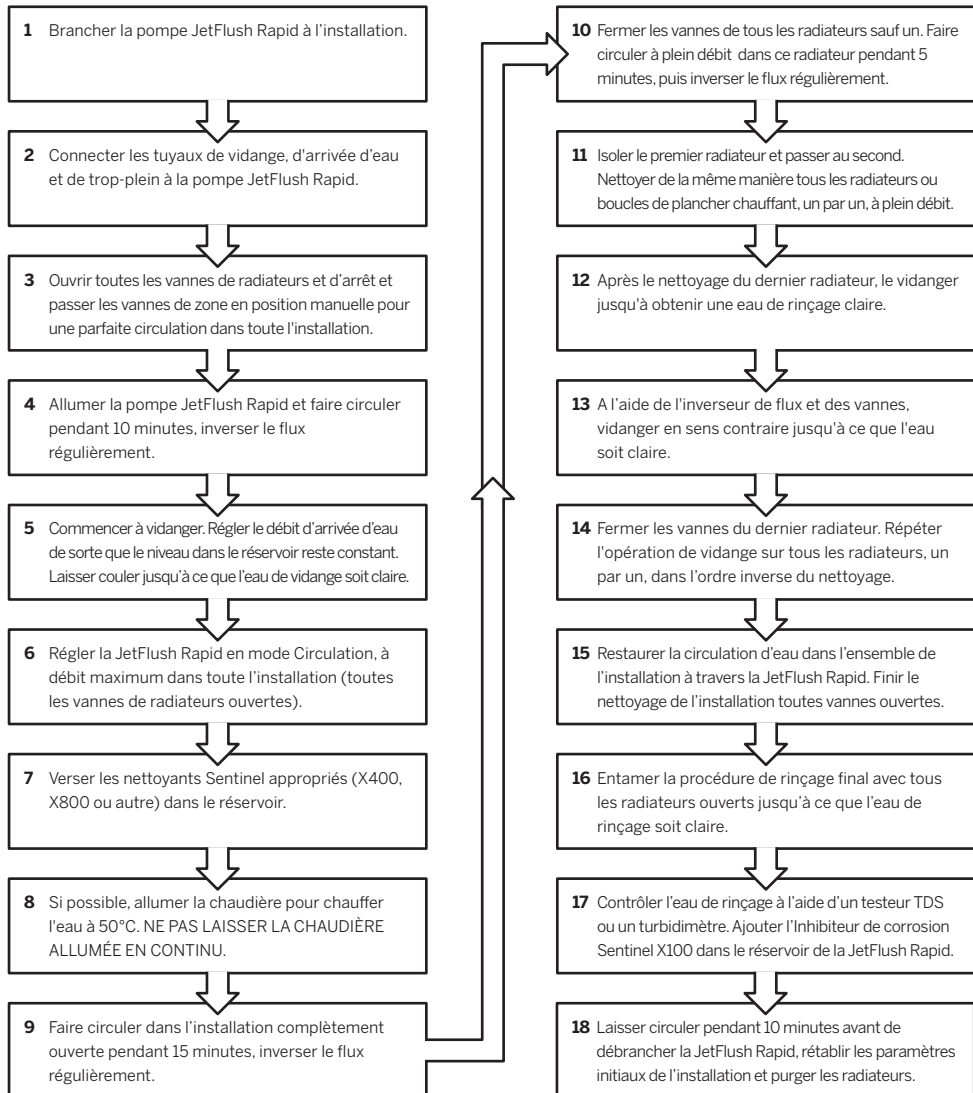
Si la pompe n'est pas utilisée pendant un certain temps, la nettoyer après utilisation en faisant circuler de l'eau propre pour éviter que des résidus de détartrant ne viennent se déposer sur le rotor et le bloque.

Respecter les consignes suivantes :

1. Toujours ajouter l'acide à l'eau, jamais l'inverse.
2. Contrôler soigneusement la température du détartrage d'une installation ou d'un composant, qui lui-même peut déjà avoir une température élevée, comme c'est le cas pour le serpentin des chauffe-eau.
3. Ne pas dissoudre des détartrants solides (en bloc ou en poudre) directement dans le réservoir, car cela pourrait bloquer l'entrée de la pompe et causer des dommages par abrasion. Ces produits doivent être d'abord dissous dans un récipient approprié et ensuite ajoutés dans le réservoir de la pompe JetFlush Rapid.

Section B – Utilisation de la pompe JetFlush Rapid pour le nettoyage/désembouage

GUIDE PRATIQUE POUR LE NETTOYAGE/DÉSEMBOUAGE AVEC UNE POMPE JETFLUSH RAPID



Section B – Utilisation de la pompe JetFlush Rapid pour le nettoyage/désembouage

RÉGLAGES DES VANNES DE RADIATEURS

Utiliser une copie de cette feuille de relevés pour noter le réglage des vannes de radiateurs avant tout nettoyage/désembouage de l'installation afin d'en rétablir les paramètres initiaux à la fin de l'opération sans nécessité de rééquilibrer l'installation.

Pièce	Nombre de tours pour fermer complètement les vannes	
	Vanne de radiateur	Té de réglage
Entrée		
Vestiaire		
Cuisine		
Salon		
Salle à manger		
Couloir RDC		
Couloir à l'étage		
Salle de bains 1		
Chambre 1		
Chambre 2		
Chambre 3		
Chambre 4		
Salle de bains 2		
Autre		
Autre		

Section B – Utilisation de la pompe JetFlush Rapid pour le nettoyage/désembouage

RAPPORT DE NETTOYAGE/DÉSEMBOUAGE

Date :

Adresse :

Nom du locataire/propriétaire :

Tél :

Pourquoi est-il nécessaire de nettoyer/désembouer l'installation ?

Recommandation d'une autre entreprise	Précédent rapport	Installation d'une chaudière neuve

Type d'installation :

Ouverte	Fermée	ECS
(Nécessité de fermer les tuyaux d'alimentation et d'expansion.)		(Y a-t-il un clapet anti-retour sur le retour du circuit de radiateur ? Est-il possible de fermer le circuit ECS ? Est-il nécessaire de mettre une vanne ?)

Age de l'installation :

Chaudière	Radiateurs	Tuyauterie

Section B – Utilisation de la pompe JetFlush Rapid pour le nettoyage/désembouage

Type de chaudière :

Conventionnelle	Combinée	A condensation
Numéro de série :		L'échangeur secondaire est-il en aluminium ?

Emplacement de la chaudière :

Type de tuyauterie :

Cuivre 15mm/22mm	Monotube	Acier

Si installation monotube, la chaleur se diffuse-t-elle dans tous les radiateurs ?
Les radiateurs froids devront être déposés et nettoyés séparément.

Si vieille tuyauterie en acier, l'installation est-elle suffisamment solide pour supporter un nettoyage/désembouage ? (Ou serait-il préférable de remplacer la tuyauterie ?)

Emplacement du circulateur de l'installation :

Habillage de la chaudière	A côté de la chaudière	Dans la chaufferie	Autre

Section B – Utilisation de la pompe JetFlush Rapid pour le nettoyage/désembouage

Où connecter la pompe à désembouer JetFlush Rapid ? :

Aux raccords du circulateur	Au radiateur	Au départ et retour de la chaudière	Autre

Besoin d'utiliser un bac de récupération ?

Nombre de radiateurs ?

Acier	Aluminium	Sont-ils tous chauds ?	Equipés de vannes thermostatiques ?	Signes évidents de problèmes/fuites ?
			Oui/Non	
Toutes les vannes thermostatiques de radiateurs sont-elles complètement ouvertes ?				

Y a-t-il des vannes de zone ? Où sont-elles situées ?

Nombre de vannes	Chaufferie	Ailleurs

Vase d'expansion

Emplacement	Contrôlé ?	Etat ?

Meilleur endroit pour se connecter au réseau d'eau ?

Meilleur endroit pour placer le tuyau de vidange ?

Toilettes	Evacuation d'eau usées	Trémie extérieure	Autre

Couleur de l'eau de l'installation de chauffage, tirée du bas d'un radiateur :

Clair	Orange	Marron foncé	Noir

Section B – Utilisation de la pompe JetFlush Rapid pour le nettoyage/désembouage

FORMULAIRE DE CONTRÔLE DE NETTOYAGE/DÉSEMBOUAGE

Vérification visuelle de l'eau de l'installation avant nettoyage/désembouage :

Clair	Orange	Marron foncé	Noir

Résultats d'analyse :

Paramètre de contrôle	Eau du réseau	Eau de l'installation avant nettoyage/désembouage	Eau de l'installation après nettoyage/désembouage
pH			
Fer soluble (ppm)			
Cuivre soluble (ppm)			
Chlorure (ppm)			
Dureté			
Niveau d'inhibiteur			

Relevés TDS (Total des solides dissous)			
Eau du réseau (ppm)		Eau de l'installation avant nettoyage/désembouage (ppm)	
Lors du contrôle la turbidité de l'eau de rinçage de chaque radiateur, notez les résultats ci-dessous (ppm) :			
Radiateur 1		Radiateur 8	
Radiateur 2		Radiateur 9	
Radiateur 3		Radiateur 10	
Radiateur 4		Radiateur 11	
Radiateur 5		Radiateur 12	
Radiateur 6		Radiateur 13	
Radiateur 7		Radiateur 14	
		Radiateur 15	
		Radiateur 15	
		Radiateur 17	
		Radiateur 18	
		Radiateur 19	
		Radiateur 20	
		Radiateur 21	

Section B – Utilisation de la pompe JetFlush Rapid pour le nettoyage/désembouage

Nettoyants chimiques utilisés :							
Sentinel X300		Sentinel X400		Sentinel X800		Deposit Remover	CalSanit
Inhibiteur de corrosion utilisé :							
Sentinel X100							
Contrôle du bon dosage d'Inhibiteur X100 avec X100 Quick Test effectué :							

Le signataire a nettoyé l'installation de chauffage conformément aux bonnes pratiques en vigueur.	
Nom :	Signature :
Date :	

Section C – Dépannage, entretien et réparation

INTRODUCTION

Le débit et la pression de la pompe JetFlush Rapid ont été testés après le montage afin de garantir une haute performance de la pompe. Cependant, dans le temps et selon son utilisation, certaines pièces peuvent s'endommager, s'user ou être partiellement bloquées par des matières non solubles.

Si vous pensez que la pompe n'est plus aussi performante, vous pouvez utiliser les procédures ci-dessous pour tester et réparer votre équipement en toute sécurité puisqu'elles sont rapides, ne requièrent pas une expertise particulière et ne compromettent pas les conditions de garantie.

Dépannage/résolution de problèmes

Sur la page suivante, vous trouverez un logigramme pour vous aider à diagnostiquer les problèmes les plus fréquents. Le logigramme et les tests détaillés sont un guide pour déterminer si le problème provient de la pompe JetFlush Rapid ou de l'installation de chauffage.

Comment tester la performance de la pompe JetFlush Rapid ?

Nous vous recommandons d'effectuer ces tests à l'extérieur, hors des locaux du client.

Test 1 : Test de pression

Ce dont vous avez besoin : Un manomètre 0–30 psi avec un adaptateur pour prise mâle.

1. Remplir la moitié du réservoir avec de l'eau.
2. Tourner sur la gauche le levier d'inverseur de flux.
3. Placer la vanne de gauche en position "Circulation".
4. Placer la vanne de droite en position "Vidange".
5. Connecter un tuyau départ/retour aux raccords filetés (court-circuit du flux).
6. Connecter le tuyau de vidange normalement.
7. Placer l'extrémité du tuyau de vidange à distance et à un point d'évacuation approprié, allumer le moteur de la pompe pendant 5 secondes. Vous devriez voir sortir un puissant jet d'eau.
8. Fixer le manomètre à l'extrémité du tuyau et démarrer le moteur de la pompe pendant 30 secondes. Pendant que le moteur tourne, le manomètre devrait afficher une pression de 23–25psi.

Section C – Dépannage, entretien et réparation

Test 2 : Test de débit

Ce dont vous avez besoin : Un récipient de 5 litres vide et propre.

1. Répéter les étapes 1 à 7 du test de pression.
2. Tenir le tuyau de vidange de façon à ce que l'eau s'écoule dans le récipient vide.
3. Chronométrer le temps nécessaire pour remplir le récipient de 5 litres. Le résultat devrait être de 9 à 11 secondes.

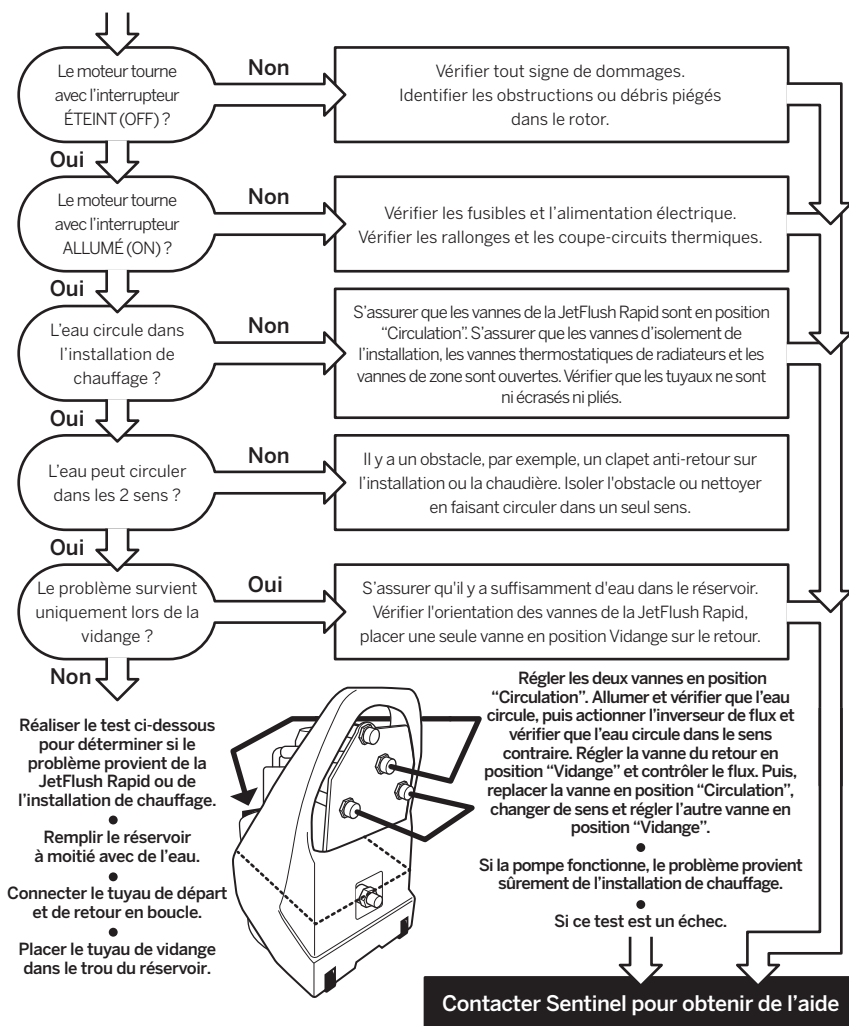
Inspection de la pompe

1. Retirer les 4 boulons qui maintiennent la bride sur le réservoir.
2. Soulever et retirer la pompe du réservoir.
3. Inspecter le couvercle du rotor en bas de l'appareil pour s'assurer que :
 - Il est plat.
 - Il n'y a pas de boulons endommagés ou manquants.
 - Le joint torique est toujours en place et n'a pas bougé.
4. Examiner l'intérieur du rotor pour s'assurer qu'il n'y a pas de débris à l'intérieur.
5. Vérifier que tous les raccords de tuyaux sont étanches.

Section C – Dépannage, entretien et réparation

RÉSOLUTION DES PROBLÈMES

Utiliser le logigramme ci-dessous pour identifier tout problème potentiel puis, si nécessaire, réaliser un simple test de circulation pour définir si la pompe JetFlush Rapid fonctionne. Si la circulation et la vidange au niveau de la pompe se font avec un bon débit alors le problème provient sûrement de l'installation de chauffage.



Section C – Dépannage, entretien et réparation

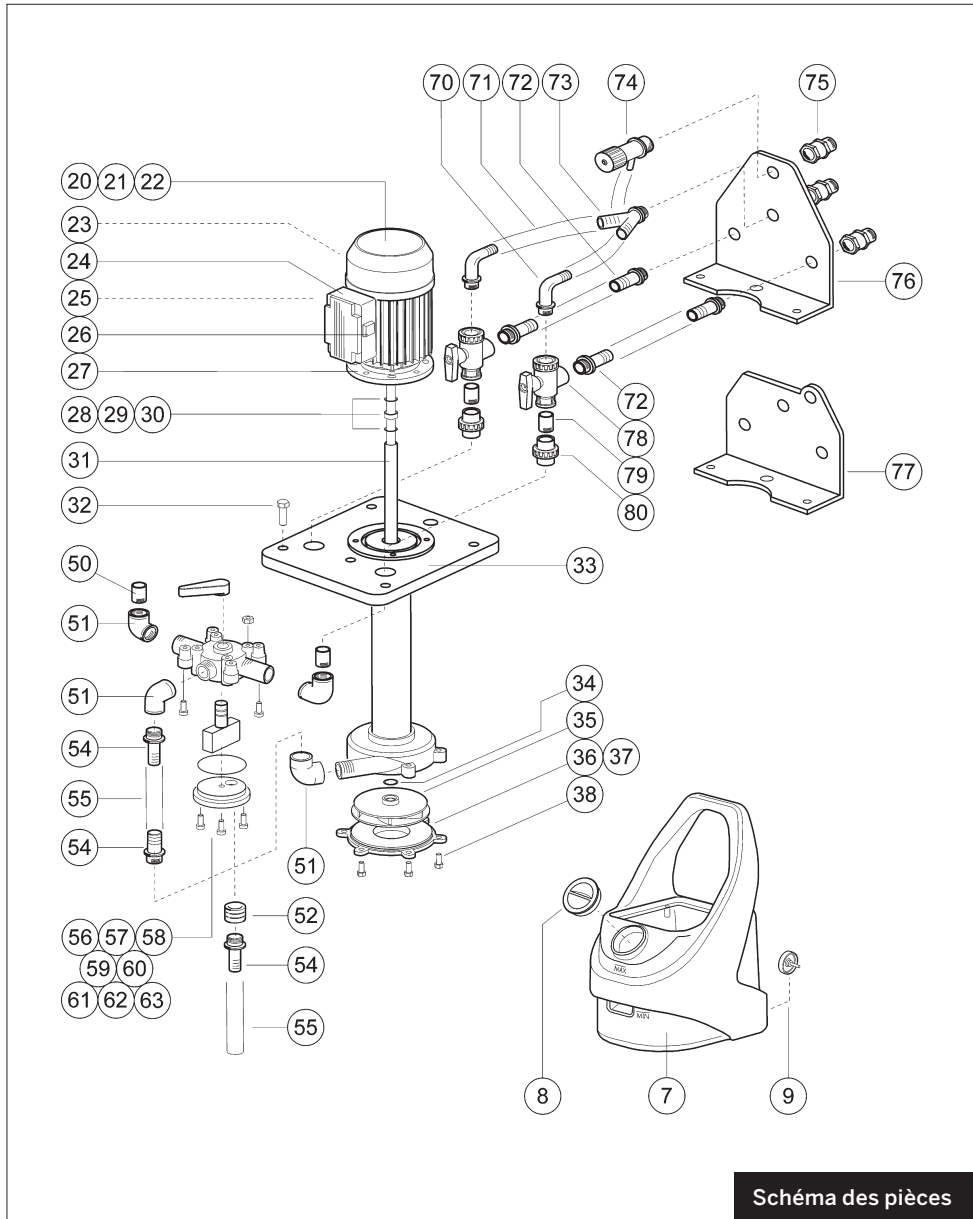


Schéma des pièces

Section C – Dépannage, entretien et réparation

LISTE DES PIÈCES DÉTACHÉES JETFLUSH RAPID

No. sur schéma	Code produit	Description
7	H04020K	Réservoir moulé JetFlush
8	H04021K	Bouchon de réservoir JetFlush
9	H04022K	Roue JetFlush (unité)
9	H04022KA	Essieu de roue (Unité)
20	H04002L22K	Moteur JetFlush 220v
21	H04012KA	Ventilateur
22	H04012KB	Ventilateur de moteur
23	H03002B	Supports de moteur
24	H03002F	Commutateur
25	H03002D22	Condensateur 220v
26	H01502C	Interrupteur moteur
27	H030HJ08	Boulon laiton M8 x 40mm
27	H030HJ07	Ecrou laiton M8
27	H030HJ09	Joint laiton M8
28	H03002A	Anneau de sécurité du villebrequin
29	H03006	Bague blanche en Arnite
30	H03007	Joint torique pour moyeu
31	H04014K	Manchon d'entraînement du moyeu
32	H01507K	Boulon M12 PP
33	H04013K	Bride et corps
34	H0150211A	Joint torique de la roue
35	H04015K	Roue
36	H04017K	Capuchon du rotor
37	H04016K	Joint torique du capuchon de rotor
38	H03012K	Boulon M10 PP

Section C – Dépannage, entretien et réparation

No. sur schéma	Code produit	Description
50	H04018KF	Raccord fileté ¾" – 45mm
51	H03023	Coude ¾" F/F
52	H030F46	Attache fileté femelle ¾"
53	H030F11	Coude ¾" M/F
54	H090F04	Adaptateur pour tuyau ¾" M x 19mm PP
55	HH019X30	Tuyau transparent ø19mm (par mètre)
56	H04018KA	Levier d'inverseur de flux
57	H04018KB	Aile d'inverseur de flux
58	H04018KC	Corps d'inverseur de flux
59	H04018KD	Plaque supérieure d'inverseur de flux
60	H04018KE	Joint torique pour plaque supérieure d'inverseur
61	H03007	Joint torique pour aile d'inverseur
62	MI022	Vis de blocage M6 x 30mm
70	H090F03	Adaptateur de tuyau ¾" M x 20mm 90°
71	HH019X30	Tuyau transparent ø19mm (par mètre)
72	H090F04	Adaptateur de tuyau ø19mm ¾" M PP
73	H030HJ06	Raccord tuyau Y ¾" M x 20mm
74	H190F16	Connexion arrive d'eau ¾" x 19mm
75	H090F06	Adaptateur laiton ¾" F x ¾" M
77	H04024K	Support pour tuyaux JetFlush
78	H090F01	Vanne à simple siège L ¾"
79	H04023K	Raccord fileté ¾" – 35mm
80	H04019K	Raccord ¾"

Section C – Dépannage, entretien et réparation

TUYAUX JETFLUSH RAPID

No. sur schéma	Code produit	Description
	HH016X30	Tuyau transparent ø16mm par mètre (spécifier la longueur)
	HH013X30	Tuyau jaune ø13mm par mètre (spécifier la longueur)
	H030F03	Adaptateur tuyau laiton ¾" F x 16mm
	H090F10	Adaptateur tuyau laiton ¾" F x 13mm
	H030F13A#	Collier de serrage, 16–25mm
	H030F13	Collier de serrage, 12–22mm
	H030F04	Adaptateur tuyau PP ¾" M x 16mm
	H030F11	Coude ¾" M/F
	H030F47	Adaptateur tuyau PP ¾" F x 16mm
Composants pour connecter le tuyau de départ et retour sur les raccords 1½" lorsque le circulateur a été déconnecté		
	H030F07	2 raccords en laiton filetés ¾"
	H030F11	2 coudes PP M/F ¾"
	H0030F19	2 douilles de réduction en laiton 1½" M et ¾" F

ACCESSOIRES TUYAUX JETFLUSH RAPID

No. sur schéma	Code produit	Description
	HHCF3DH	Tuyau de vidange 8m
	HHCF4FR	Tuyaux de départ et retour 5m (paire)
	HHCF3OH	Tuyau de trop-plein 3m
	HHCF9WI	Tuyau d'arrivée d'eau 8m



JetFlush Rapid

SENTINEL®

BON DE GARANTIE

Veillez compléter et retourner le bon de garantie à Sentinel Performance Solutions Ltd pour activer la garantie, valable 2 ans.

Vous pouvez également activer la garantie en vous connectant <http://www.sentinelprotects.com/fr/activation-de-garantie> puis sélectionnez votre produit JetFlush Rapid. Retrouvez les termes et conditions de cette garantie sur le site web Sentinel.

Société

Adresse

.....

CP

Ville

Téléphone

Email

Lieu d'achat/Distributeur

Date d'achat

Si vous souhaitez recevoir des informations sur les produits, les services ou les promotions Sentinel. Veuillez sélectionner votre mode de correspondance préféré – Courrier Email Téléphone

ENVOYER LE BON DE GARANTIE COMPLÉTÉ À :

Sentinel Performance Solutions Ltd

Cité Descartes - 16 rue Albert Einstein – 77420 Champs sur Marne

Parte A – Introduzione Pagina

Dati tecnici	70
Precauzioni di sicurezza	71
Contenuti della confezione di JetFlush Rapid	72

Parte B – Uso della pompa JetFlush Rapid per il lavaggio ad alta circolazione Pagina

Introduzione	73
Ispezione e preparazione dell'impianto	73
Posizionamento e collegamenti dell'unità di lavaggio	75
Procedura iniziale di lavaggio (solo acqua)	78
Procedura di pulizia chimica – Sentinel X400 o X800	81
Inibizione e protezione dalla corrosione	82
Procedure finali	83
Uso di JetFlush Rapid con Sentinel CalSanit per disincrostare gli scambiatori di calore	84
Guida rapida al lavaggio	86
Regolazione delle valvole dei radiatori	87
Rapporto di controllo del lavaggio	88
Modulo di controllo del lavaggio	92

Parte C – Inconvenienti, servizio e riparazioni Pagina

Introduzione	94
Risoluzione dei problemi	96
Schema parti	97
Elenco ricambi JetFlush Rapid	98
Registrazione della garanzia	101

Parte A – Introduzione

DATI TECNICI

Sentinel JetFlush Rapid™

Tipo di pompa	centrifuga ad accoppiamento diretto
Motore	0.50 HP, 220v
Isolamento del motore	IP55
Alimentazione	continua
Temperature	da 0°C a 75°C
Dimensioni	P 390mm, D 440mm, A 690mm
Capacità serbatoio (al tappo di riempimento)	39 litri
Peso (senza tubi)	17 kg

L'unità si può usare con l'alimentazione domestica da 13 ampere. E' consigliabile che la spina sia munita di un fusibile da 5 amp. Usare un adattatore con interruttore differenziale.

PRECAUZIONI DI SICUREZZA

ATTENZIONE! L'unità JetFlush deve essere usata solo da tecnici, installatori e manutentori qualificati. Leggere tutte le istruzioni, compreso questo manuale e tutte le altre informazioni fornite con l'unità prima dell'uso. Eseguire i passaggi nell'ordine dato. La non osservanza di queste precauzioni potrebbe causare infortuni o danni alla proprietà.

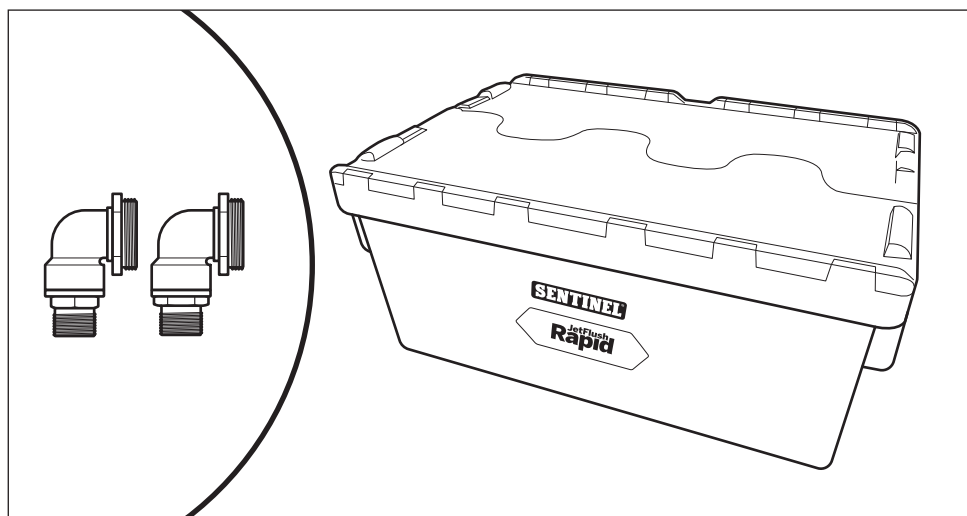
- Assicurarsi di aver preso le precauzioni necessarie per la sicurezza sul luogo dell'intervento.
- Fare attenzione nel sollevare oggetti grandi o pesanti.
- Controllare che i cavi non siano danneggiati o usurati, usare un interruttore differenziale.
- Quando si utilizzano prodotti chimici indossare sempre abbigliamento, guanti e occhiali di protezione.
- Utilizzare in ambiente ben ventilato.
- Controllare annualmente lo stato dei circuiti elettrici dell'apparecchiatura.

Parte A – Introduzione

CONTENUTI DELLA CONFEZIONE DI JETFLUSH RAPID

Nella confezione si trovano:

- Pompa per lavaggio ad alta circolazione JetFlush Rapid
- 2 tubi di mandata e ritorno da 5m (16mm)
- 1 tubo di scarico da 8m (16mm)
- 1 tubo di troppo pieno da 3m (16mm)
- 1 tubo di carico acqua da 8m (13mm)
- Adattatori per la testata della pompa di circolazione
 - 2 raccordi filettati in ottone da $\frac{3}{4}$ "
 - 2 gomiti m/f in PP
 - 2 bocche di riduzione in ottone da $1\frac{1}{2}$ " m a $\frac{3}{4}$ " f



Parte B – Uso della pompa JetFlush Rapid per il lavaggio ad alta circolazione

INTRODUZIONE

La pompa JetFlush Rapid è progettata per il lavaggio degli impianti di riscaldamento ad alta circolazione, con un flusso veloce di acqua e prodotti chimici che poi vengono rimossi, insieme ai detriti, da un potente getto di acqua pulita, senza bisogno di smontare i radiatori, che possono essere lavati uno ad uno senza rimuoverli dall'impianto.

La pompa ha un motore da 220 volt monofase da collegare a una normale presa domestica. La spina deve essere munita di un fusibile da 5 amp. Come ulteriore protezione si consiglia di usare un adattatore con interruttore differenziale.

ISPEZIONE E PREPARAZIONE DELL'IMPIANTO

1. A impianto acceso, identificare aree con poca circolazione, radiatori freddi o con zone che non si scaldano. Spegnerne l'impianto.
2. Prendere nota di quanti giri servono per chiudere i radiatori e i detentori in modo da poter ripristinare le stesse condizioni dopo il lavaggio per evitare sbilanciamenti dell'impianto. Usare una copia dello schema incluso per tener conto dei giri. Aprire completamente tutte le valvole dei radiatori.
3. Regolare le eventuali valvole termostatiche in posizione completamente aperta. Smontare la testa di ciascuna e controllate che il pistone sia libero di muoversi. Controllare che le valvole deviatrici o di zona siano completamente aperte, regolandole manualmente se necessario.
4. Se è presente una valvola di ritegno, è necessario bypassarla per permettere l'inversione del flusso. Se possibile aprirla e rimuoverne i componenti interni.
5. Bloccare il galleggiante o chiudere in altro modo l'acqua di rete.
6. Scaricare l'impianto quel tanto che basta per svuotare il vaso d'espansione. L'acqua può essere convogliata nel serbatoio della JetFlush se questa è già collegata (vedere la prossima sezione per i collegamenti).

Parte B – Uso della pompa JetFlush Rapid per il lavaggio ad alta circolazione

7. Con impianti a vaso aperto è necessario tappare o collegare fra loro i tubi di espansione e di alimentazione (acqua fredda) per evitare che la pompa riempia il vaso d'espansione e lo faccia traboccare.

I tubi possono essere chiusi con tappi del tipo a innesto o con una valvola temporanea di isolamento a compressione.

A seconda della configurazione dell'impianto, collegare i tubi di espansione e dell'acqua fredda può essere vantaggioso per permettere che essi vengano lavati durante il processo, nel caso in cui il tubo di alimentazione contenga depositi.

NOTA 1: questo accorgimento sarà efficace solo se i tubi non sono in parallelo o collegati con un separatore idraulico, e potrebbe non rimuovere depositi vecchi e induriti.

NOTA 2: il collegamento si può eseguire con qualsiasi tubazione robusta e flessibile, ma deve incorporare una valvola per chiudere il circuito quando si lavano i singoli radiatori.

Tappare o collegare i tubi sono solo interventi temporanei: ripristinare le condizioni originali dopo il lavaggio.

SUGGERIMENTO: Aspettare di aver collegato la pompa all'impianto prima di scaricare acqua dal vaso d'espansione.

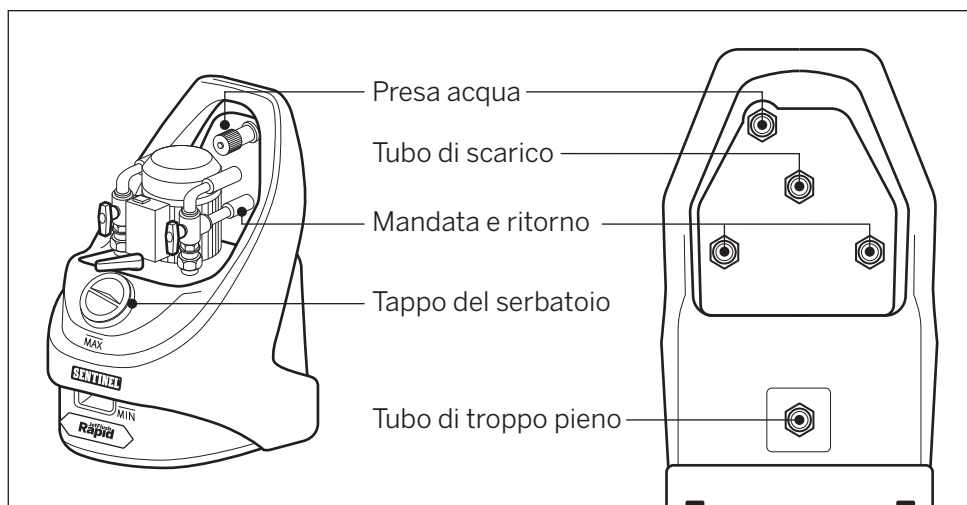
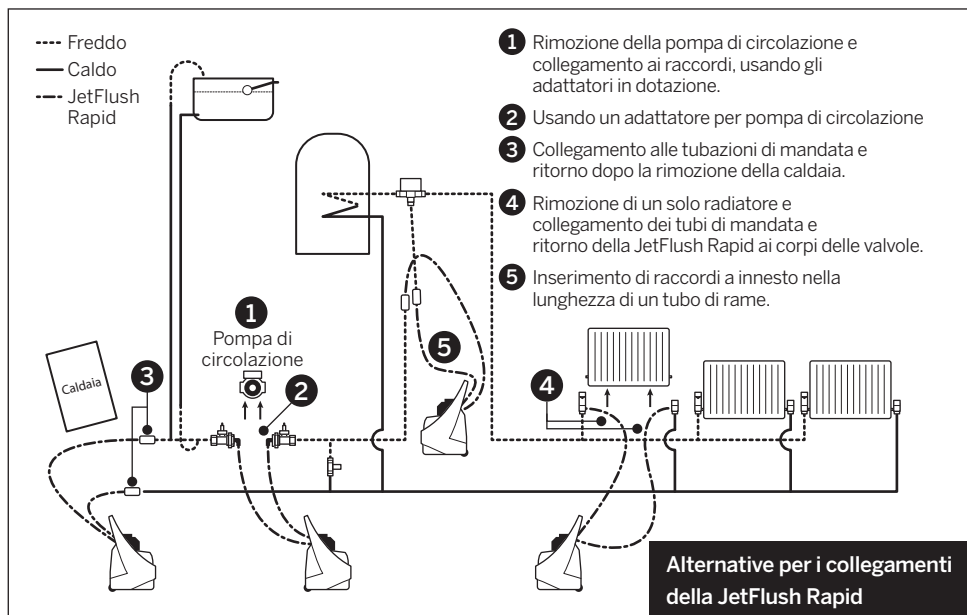
Bloccare il galleggiante o chiudere in altro modo l'acqua di rete. Aprire le due valvole di isolamento dell'unità JetFlush, a motore spento. La pressione della colonna farà scorrere l'acqua lungo i tubi di mandata e ritorno fino al serbatoio. Lasciar scorrere l'acqua fino a riempire metà serbatoio e chiudere entrambe le valvole di isolamento.

A questo punto il vaso di espansione dovrebbe essere svuotato a sufficienza per poter tappare o bypassare i tubi.

NOTA: se il vaso di espansione contiene molta fanghiglia, questa dovrà essere eliminata manualmente, non scaricata nell'impianto.

Parte B – Uso della pompa JetFlush Rapid per il lavaggio ad alta circolazione

POSIZIONAMENTO E COLLEGAMENTI DELL'UNITA' DI LAVAGGIO



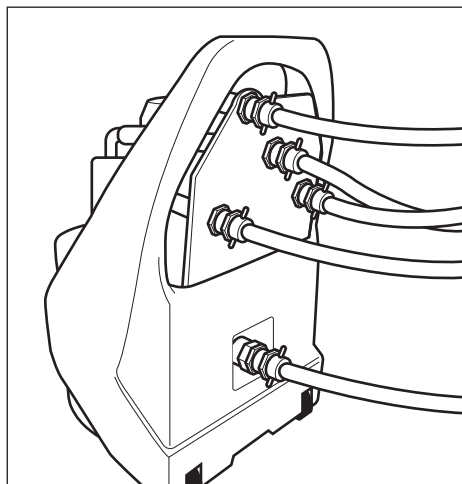
Parte B – Uso della pompa JetFlush Rapid per il lavaggio ad alta circolazione

POSIZIONAMENTO E COLLEGAMENTI DELL'UNITÀ DI LAVAGGIO (CONTINUA)

Il punto in cui collegare la pompa può variare in relazione al tipo di impianto da pulire e alla accessibilità di punti di collegamento adatti.

In ogni caso, la posizione ottimale è sulla tubazione più larga, quindi alla pompa di circolazione, alla mandata e ritorno della caldaia o ad un collettore.

In generale, l'unità deve essere collocata in una stanza provvista di un punto di scarico adatto e vicino a un rubinetto dell'acqua, come un bagno o la cucina. Ci si può anche collegare al rubinetto della lavatrice o lavastoviglie quando la presenza



di un miscelatore rende difficile collegare il tubo.

Adottare le normali precauzioni per operare su impianti di riscaldamento. E' opportuno collocare la pompa su un telo impermeabile o in un catino.

1. Collegamento dei tubi all'unità di lavaggio

- 1a. Assicurarsi che entrambe le valvole siano in posizione chiusa, ovvero con le manopole in orizzontale.
- 1b. La pompa è dotata di due tubi di mandata e ritorno da 5m, con raccordi femmina da $\frac{3}{4}$ " in ottone a ciascuna estremità.

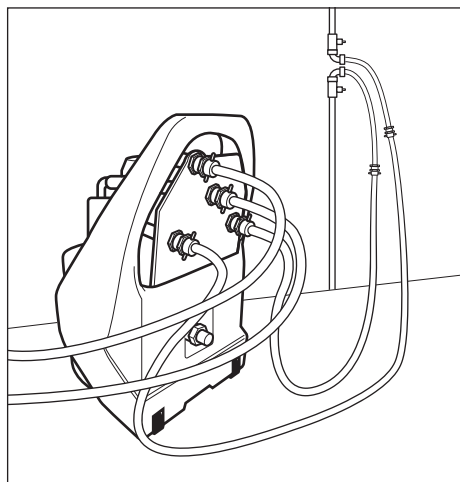
Avvitare una estremità del tubo di mandata e di quello di ritorno nei corrispondenti raccordi filettati sul retro della piastra di supporto. Le estremità opposte verranno collegate all'impianto.

- 1c. Collegare il raccordo del tubo di troppo pieno al connettore maschio da $\frac{3}{4}$ " del troppo pieno sul retro del serbatoio della pompa, e portarlo fino a un punto di scarico adatto.
- 1d. Collegare il tubo di scarico da 8 metri al raccordo filettato in

Parte B – Uso della pompa JetFlush Rapid per il lavaggio ad alta circolazione

ottone sulla piastra di supporto dei tubi, e portarlo fino a un gabinetto o a uno scarico.

- 1e. Collegare il raccordo femmina da $\frac{3}{4}$ " del tubo di carico dell'acqua di rete al raccordo filettato in ottone sulla piastra di supporto dei tubi. Riempire il serbatoio fino a 10cm sopra il minimo, quindi chiudere la valvola di ingresso acqua.
- 1f. Collegare la pompa a una presa di corrente da 13 amp munita di adattatore differenziale.

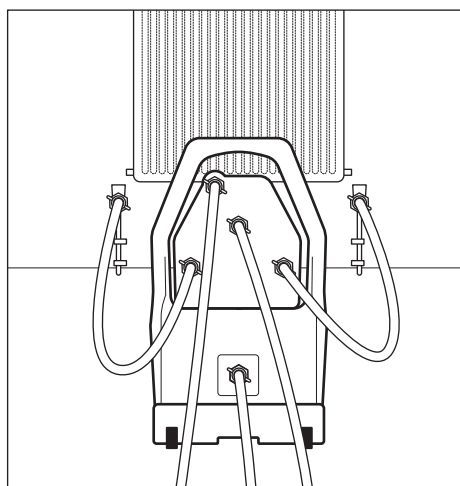


2. Collegamento dei tubi all'impianto

Collegare i tubi di mandata e ritorno della pompa all'impianto nei punti prescelti. Essi possono essere:

- 2a. Ai raccordi da $1\frac{1}{2}$ " rimasti dopo aver rimosso la pompa di circolazione. Le valvole di isolamento della pompa di circolazione devono essere chiuse per isolare l'unità JetFlush dall'impianto fino all'inizio del lavaggio.

Quando in uso, essi vengono avvitati direttamente negli adattatori femmina in ottone da $\frac{3}{4}$ " dei tubi di mandata e ritorno.



- 2b. Alle estremità di un radiatore (dopo che è stato svuotato e isolato) usando gli opportuni adattatori da $\frac{1}{2}$ " o $\frac{3}{4}$ " per collegarsi alle valvole. Le valvole del radiatore devono essere

Parte B – Uso della pompa JetFlush Rapid per il lavaggio ad alta circolazione

chiusure per isolare l'unità JetFlush dall'impianto fino all'inizio del lavaggio.

Questo metodo è probabilmente il meno efficace a causa dell'effetto di limitazione del flusso delle valvole, specialmente termostatiche, e si usa generalmente con impianti dotati di caldaia combinata.

- 2c. Ai raccordi di mandata e ritorno della caldaia, isolando la caldaia stessa. Questo è il metodo ideale quando si lava un impianto prima dell'installazione di una caldaia nuova, perché permette di eliminare i detriti della corrosione prima dell'installazione. Questa procedura è di grande

importanza con tutte le caldaie moderne, specialmente con quelle che incorporano uno scambiatore a piastra con passaggi d'acqua stretti e complessi.

PROCEDURA INIZIALE DI LAVAGGIO (SOLO ACQUA, PRIMA DELL'AGGIUNTA DEL PULITORE)

NOTA: Nella procedura che segue, la pompa si usa dapprima per mettere in circolazione detriti e fanghiglia non compatti, prima di scaricarli insieme all'acqua sporca circolante. Questa procedura libera l'impianto di tutto lo sporco possibile in via preliminare, prima di far circolare l'additivo pulitore con la pompa.

Rimuovendo detriti e fanghiglia in circolo nell'impianto prima di aggiungere l'additivo pulitore, l'azione di quest'ultimo potrà essere riservata alla rimozione dei depositi più duri e compatti.

1. Lasciare il tappo del serbatoio della pompa aperto o chiuderlo solo con un quarto di giro se l'acqua schizza durante il lavaggio (per permettere di sfiatare).
2. Fino a quando non si è pronti per cominciare il lavaggio, assicurarsi che entrambe le valvole siano



Parte B – Uso della pompa JetFlush Rapid per il lavaggio ad alta circolazione

chiuse. Quando si inizia, aprire le valvole di isolamento fra l'unità JetFlush e l'impianto e accendere immediatamente l'unità.

Assicurarsi che il livello dell'acqua nel serbatoio rimanga almeno 10cm sopra l'indicatore del minimo, aggiungendo più acqua se necessario.

3. Lasciar funzionare l'unità JetFlush per dieci minuti, invertendo regolarmente la direzione del flusso. Se l'impianto contiene fanghiglia e detriti, l'acqua che torna nel serbatoio sarà più scura, dal momento che l'elevata circolazione trascina con sé lo sporco non solidificato.

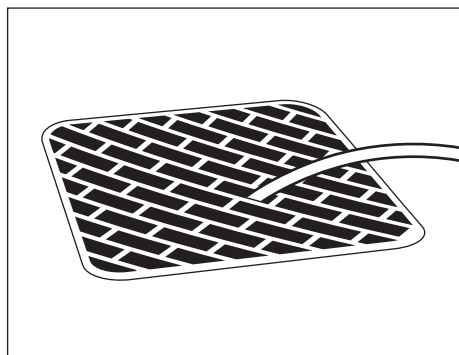
4. Controllare che tutti i tubi e collegamenti non perdano.
5. La pompa può scaricare l'acqua sporca in entrambe le direzioni di flusso.

Passare alla modalità di scarico come illustrato di seguito, ricordando che l'invertitore di flusso è costruito in modo tale che la manopola punta nella stessa direzione del flusso.

- 5a. Regolare l'invertitore di flusso in modo che l'acqua scorra nell'impianto nella direzione normale di funzionamento.

- 5b. Ruotare la **valvola dalla parte del ritorno di 180°, in modo da vedere bene l'indicazione Scarico.**

In questo modo, l'acqua dell'impianto viene mandata allo scarico attraverso il tubo di scarico, anziché tornare nel serbatoio. Il livello dell'acqua nel serbatoio comincerà immediatamente a diminuire.



- 5c. Aprire il rubinetto dell'alimentazione dell'acqua di rete regolandolo in modo che il volume dell'acqua in ingresso compensi quella che esce dallo scarico. Continuare a scaricare finché l'acqua risulta abbastanza limpida. Assicurarsi che il livello dell'acqua nel serbatoio rimanga sempre almeno 10cm sopra l'indicatore del minimo.

NOTA: Se l'alimentazione di rete non riesce a compensare la

Parte B – Uso della pompa JetFlush Rapid per il lavaggio ad alta circolazione

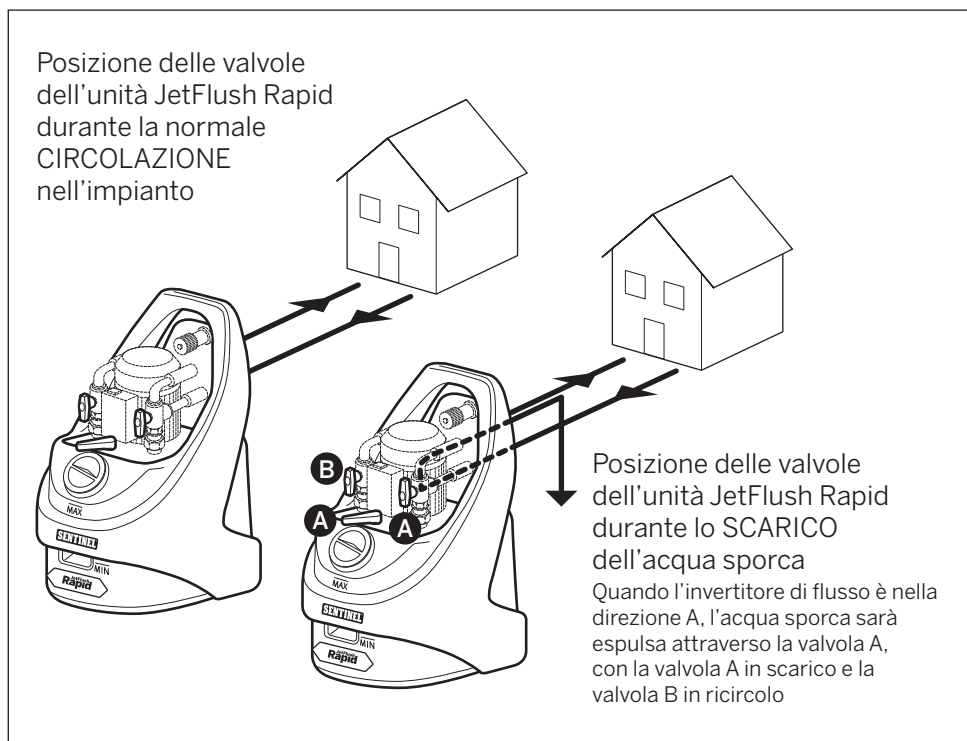
velocità dello scarico (e quindi il serbatoio va svuotandosi), basta chiudere lo scarico finché il serbatoio si riempie a sufficienza.

6. Una volta che l'acqua appare sufficientemente limpida, ripristinare la circolazione ruotando la valvola di 180° in senso opposto, in modalità Circolazione.
7. Controllare che il livello dell'acqua nel serbatoio rimanga almeno

10cm sopra l'indicatore del minimo. Aggiungere acqua se necessario. Spurgare tutti i radiatori per assicurarsi che non ci siano bolle d'aria. Asciugare l'acqua eventualmente fuoriuscita in quanto è sporca e potrebbe macchiare.

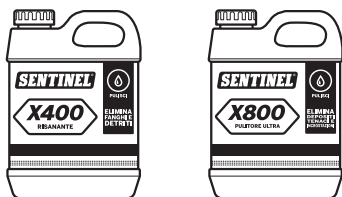
8. Ora aggiungere l'additivo pulitore.

Lasciare il tappo del serbatoio aperto o chiuderlo solo con un giro durante il lavaggio/trattamento.



Parte B – Uso della pompa JetFlush Rapid per il lavaggio ad alta circolazione

PROCEDURA DI PULIZIA CHIMICA CON SENTINEL X400 O X800



1. Accendere la pompa JetFlush Rapid.
 2. Mentre si fa ricircolare l'acqua attraverso l'impianto, aggiungere X400 o X800 nel serbatoio della pompa, a meno che non fosse già stato aggiunto in precedenza. Un litro è sufficiente per un impianto di circa 100 litri di capacità (equivalente a circa 10 radiatori).
 3. Accendere la caldaia, se è installata e in condizioni operative. Lasciare che la temperatura dell'impianto raggiunga i 50°C e spegnere la caldaia.
- NOTA: Anche la regolazione più bassa del termostato può essere superiore a 50°C.**
4. Lasciar circolare attraverso tutto l'impianto per mezz'ora/un'ora, invertendo periodicamente la direzione del flusso e controllando che non si verificano perdite.
 5. Chiudere tutti i radiatori (con una sola valvola) e lasciare che tutto il flusso passi attraverso la serpentina nel cilindro (se l'impianto ne è dotato).
 6. Invertire il flusso regolarmente.
 7. Concentrare tutto il flusso verso il circuito dei radiatori, in preparazione al lavaggio di un radiatore per volta.
 8. Aprire completamente entrambe le valvole del radiatore più vicino all'unità JetFlush, al piano più basso dell'immobile.
 9. Lavare il radiatore, invertendo il flusso regolarmente, fino a quando tutte le zone fredde non si percepiscono più e la temperatura è uniforme in ogni sua parte. Chiudere le valvole del radiatore.
- NOTA:** Se il controllo iniziale dell'impianto aveva identificato radiatori freddi o parzialmente bloccati, cominciare il lavaggio individuale da quello più problematico e procedere dal peggiore al migliore. In questo modo la soluzione più 'fresca' di additivo sarà usata per le parti più contaminate del circuito.
10. Aprire le valvole del radiatore seguente e ripetere la procedura.

Parte B – Uso della pompa JetFlush Rapid per il lavaggio ad alta circolazione

11. Lavare uno a uno tutti i radiatori individualmente, se su più piani partendo da quello più basso.
12. Quando anche l'ultimo radiatore è stato lavato e ha una temperatura uniforme, regolare la pompa in posizione di scarico, come sopra.
13. Lasciando aperto solo l'ultimo radiatore e con la pompa in posizione di scarico, far funzionare finché l'acqua che esce dal tubo di scarico è completamente pulita. A questo punto invertire il flusso e far scaricare le valvole nella direzione opposta finché l'acqua è pulita. A questo punto, chiudere la valvola del radiatore.
14. Tornare al radiatore lavato immediatamente prima, assicurarsi che entrambe le valvole siano aperte, e ripetere la procedura di scarico, alternando la direzione del flusso mentre si scarica. Chiudere la valvola del radiatore.
15. Continuare a scaricare i radiatori nell'ordine inverso rispetto al lavaggio, fino a risciacquarli tutti individualmente.
16. A questo punto, con la pompa ancora in assetto di scarico, dirigere il flusso nella serpentina del cilindro finché l'acqua risulta limpida, ripetendo l'operazione a flusso invertito.
17. Se si dispone di un misuratore di solidi totali dissolti (TDS), è opportuno testare l'acqua a questo punto. Confrontare il risultato con quello di un campione di acqua di rete e continuare il risciacquo finché la lettura non supera di più del 5-10% il valore di conducibilità dell'acqua di rete.
18. Riportare la pompa nella modalità di circolazione normale, riaprire tutte le valvole dei radiatori e della serpentina.
19. **NOTA:** Con Sentinel X400 o X800 non è necessario procedere alla neutralizzazione dopo il lavaggio.

INIBIZIONE E PROTEZIONE DALLA CORROSIONE

IMPORTANTE



1. Dopo aver lavato l'impianto secondo le normative e averlo

Parte B – Uso della pompa JetFlush Rapid per il lavaggio ad alta circolazione

riempito con acqua pulita, è necessario aggiungere un inibitore di qualità come Sentinel X100 per prevenire il ripresentarsi di corrosione e depositi.

L'aggiunta di un trattamento protettivo è prescritta dalle normative (Dpr. 59/09 e norma UNI 8065) e deve essere certificata sul Libretto d'Impianto.

Il trattamento con un inibitore è condizione necessaria per far valere la sostituzione in garanzia delle componenti che si dovessero rovinare precocemente. Molti produttori approvano esplicitamente Sentinel X100 e tutti raccomandano di usare prodotti di comprovata qualità.



PROCEDURE FINALI

1. Ripristinare le condizioni normali dell'impianto, riportando le valvole di bilanciamento alle regolazioni iniziali, rimuovendo le eventuali valvole provvisorie di isolamento o tappi sui tubi di espansione e alimentazione, e ripristinando il normale

funzionamento delle valvole di non ritorno se necessario.

2. Prima di ricollegare il vaso d'espansione, pulirlo accuratamente, rimuovendo ogni traccia di fanghiglia e acqua sporca e disinfettandolo se necessario. Per aggiungere l'inibitore all'impianto usare l'unità JetFlush Rapid come segue:
3. Aprire brevemente una valvola di scarico per svuotare il serbatoio fino a poco sopra il livello minimo, poi chiuderla. Dosare X100 Inibitore nel serbatoio. Far circolare nell'impianto per 10 minuti, isolare l'unità dall'impianto e spegnerla.
4. Se l'impianto è aperto, l'acqua che rimane nel serbatoio della JetFlush, che conterrà una piccola parte di inibitore, si può raccogliere in un secchio e versare nel vaso di espansione una volta pulito.

NOTA: In un impianto pressurizzato l'inibitore si può aggiungere da un radiatore, evitando di sprecare quella parte che rimane dentro al serbatoio della pompa.

Parte B – Uso della pompa JetFlush Rapid per il lavaggio ad alta circolazione

USO DELL'UNITA' JETFLUSH CON SENTINEL CALSANIT PER DISINCROSTARE CALDAIE E SCAMBIATORI DI CALORE



PROCEDURA PER LA DISINCROSTAZIONE

Precauzioni di sicurezza: quando si maneggiano acidi disincrostanti è necessario indossare sempre abbigliamento e occhiali protettivi e attenersi alle istruzioni per l'uso dei prodotti.

ATTENERSI ALLE SEGUENTI ISTRUZIONI PER EVITARE PROBLEMI OPERATIVI O DI SERVIZIO

1. Riempire il serbatoio con soluzione disincrostante sufficiente ad assicurare che l'alloggiamento della girante rimanga sommerso durante l'uso. Non scendere sotto l'indicazione di livello minimo sul serbatoio.
2. Avvitare con cura le estremità libere dei tubi di mandata e ritorno all'apparecchiatura o componente da disincrostante, usando adattatori filettati e se necessario nastro isolante in PTFE. Collegare il cavo elettrico a una presa adatta, da 230 volt, 50Hz e con messa a terra. Poiché la pompa verrà usata in presenza di umidità, si raccomanda di usare una spina munita di fusibile.
3. Accendere la pompa e controllare che il livello della soluzione non si abbassi sotto l'alloggiamento della girante (vedi sopra) quando una parte del liquido passerà dal serbatoio all'apparecchiatura che si sta disincrostando, in particolare quando la capacità complessiva dell'apparecchiatura da disincrostante è superiore alla capacità del serbatoio. Se necessario, aggiungere altra soluzione disincrostante o acqua. Controllare che non ci siano collegamenti che perdono.
4. Durante l'uso, il tappo del serbatoio deve rimanere semiaperto, **avvitato al massimo con un quarto di giro, per permettere lo sfogo del gas che si produce durante la disincrostazione.** Controllare che la schiuma non superi il livello massimo di riempimento del serbatoio.

Parte B – Uso della pompa JetFlush Rapid per il lavaggio ad alta circolazione

L'invertitore del flusso di cui l'unità è dotata permette di disincrostare agendo in entrambe le direzioni. Girando la manopola dell'invertitore di flusso di tanto in tanto durante la disincrostazione, si ridurranno considerevolmente i tempi e si rimuoveranno i depositi solidi con maggiore efficacia.

Grazie all'inversione del flusso è possibile liberare tubazioni quasi completamente ostruite.

5. La disincrostazione si può considerare completa quando non si formano più bolle nel tubo di ritorno e la soluzione è ancora acida.

Si raccomanda di mantenere tutti i contenitori di additivi chimici ben chiusi quando non in uso. Fare attenzione agli eventuali schizzi sia quando si aprono i contenitori dei prodotti chimici sia quando li si versa nella pompa.

Se la pompa non sarà usata per un certo tempo, lavarla dopo l'uso facendovi circolare acqua pulita, per evitare che eventuali residui della disincrostazione possano asciugarsi all'interno della girante, formando depositi.

Attenersi alle precauzioni qui indicate:

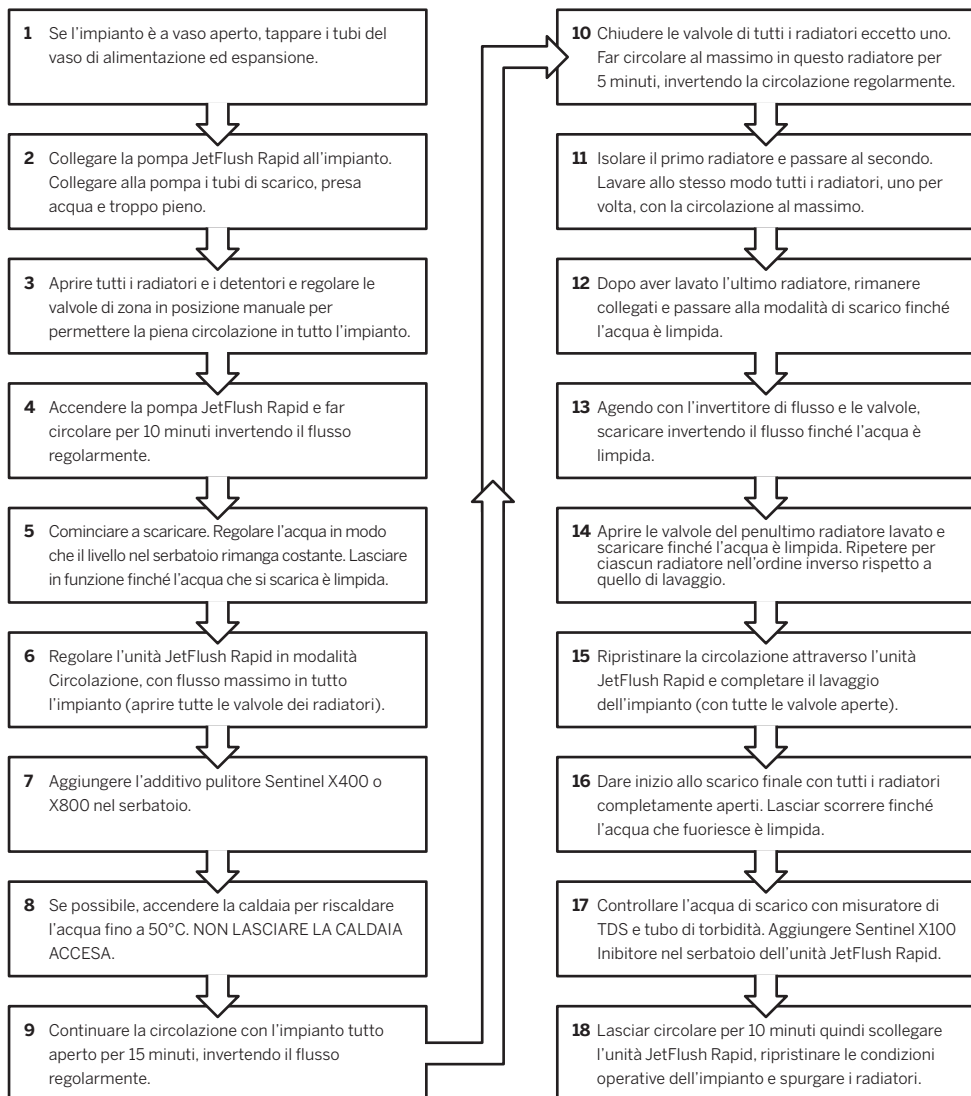
1. Aggiungere sempre l'acido all'acqua, mai l'acqua all'acido.
2. La temperatura della soluzione disincrostante e dell'acqua di risciacquo non deve superare i 50°C.

Controllare con attenzione la temperatura quando si disincrosta un impianto/apparecchiatura che potrebbe già trovarsi ad alta temperatura, come la serpentina degli scaldabagno ad accumulo o macchine per lo stampaggio a iniezione delle plastiche.

3. Non sciogliere prodotti chimici in forma solida o cristallina direttamente nel serbatoio della pompa, in quanto potrebbero ostruire l'ingresso della pompa e provocare danni per abrasione. Questi prodotti devono essere sciolti prima in un contenitore idoneo e successivamente aggiunti nel serbatoio dell'unità JetFlush Rapid.

Parte B – Uso della pompa JetFlush Rapid per il lavaggio ad alta circolazione

GUIDA RAPIDA AL LAVAGGIO AD ALTA CIRCOLAZIONE CON SENTINEL JETFLUSH RAPID



Parte B – Uso della pompa JetFlush Rapid per il lavaggio ad alta circolazione

REGOLAZIONE DELLE VALVOLE DEI RADIATORI

Annotare su una fotocopia di questo schema le regolazioni delle valvole prima di cominciare il lavaggio, in modo da poter facilmente ripristinare le condizioni dell'impianto dopo l'intervento, evitando di dover rifare il bilanciamento.

Locale	Giri per chiudere completamente la valvola	
	Valvola radiatore	Valvola di bilanciamento/ detentore
Ingresso		
Guardaroba		
Cucina		
Salotto		
Sala da pranzo		
Corridoio piano inferiore		
Corridoio piano superiore		
Bagno 1		
Camera 1		
Camera 2		
Camera 3		
Camera 4		
Bagno 2		
Altro		
Altro		

Parte B – Uso della pompa JetFlush Rapid per il lavaggio ad alta circolazione

RAPPORTO DI CONTROLLO DEL LAVAGGIO

Data:

Indirizzo:

Nome del cliente:

Tel:

Perchè è necessario lavare l'impianto?

Raccomandazione da parte di terzi	Ispezione precedente	Installazione di nuova caldaia

Tipo di impianto:

Aperto	Chiuso	Circolazione con pompa	Acqua calda sanitaria	Accumulo termico
(Necessario tappare tubi di alimentazione ed espansione)			(C'è una valvola di non ritorno sul ritorno del circuito? Si può chiudere il circuito? Occorre installare una valvola?)	(Necessario svuotare e bypassare il serbatoio e lavare separatamente i circuiti dei radiatori e della caldaia)

Età dell'impianto:

Caldaia	Radiatori	Tubazioni

Parte B – Uso della pompa JetFlush Rapid per il lavaggio ad alta circolazione

Tipo di caldaia:

Convenzionale	Combinata	Condensazione
Numero di serie:		Se a condensazione, lo scambiatore secondario è in alluminio?

Ubicazione della caldaia:

Tipo di serbatoio:

Nessuno (impianto combinato)	Convenzionale indiretto	Primatico	Accumulo termico
		(Necessario svuotare e bypassare il serbatoio)	(Necessario svuotare e bypassare il serbatoio e lavare separatamente i circuiti dei radiatori e della caldaia)

Tipo di tubazione:

Rame 15mm/22mm	Microbore	Tubo singolo	Acciaio

(Se impianto con microbore, sono montate valvole gemelle di ingresso ai radiatori? Se sì, i radiatori si scaldano completamente quando la caldaia è in funzione (quindi i tubi di 'iniezione' sono ancora montati correttamente?)

Se impianto a tubo singolo, c'è circolazione (calore) in tutti i radiatori? I radiatori freddi dovranno essere rimossi e lavati separatamente.

Se tubazione di acciaio vecchia, è abbastanza robusta da resistere al lavaggio? O sarebbe meglio rifarla?

Parte B – Uso della pompa JetFlush Rapid per il lavaggio ad alta circolazione

Ubicazione della pompa di circolazione:

Dentro all'involucro della caldaia	Adiacente alla caldaia	In un armadietto	Altro

Posto migliore per collegare l'unità JetFlush?

Ai raccordi della pompa di circolazione	A un radiatore	Altro

Numero dei radiatori?

Acciaio	Alluminio	Scaldano tutti?	TRV montate?	Segni di problemi/perdite?
			Si/No	
Tutte le valvole termostatiche (TRV) si aprono completamente?				

Ci sono valvole di zona? Dove si trovano?

Numero delle valvole	Armadietto	Altro

Serbatoio di espansione

Ubicazione	Controllato?	Condizioni

Dov'è il miglior attacco per acqua di rete?

Parte B – Uso della pompa JetFlush Rapid per il lavaggio ad alta circolazione

Dove collegare l'unità JetFlush?

Ai raccordi della pompa di circolazione	Al fondello dei radiatori	Alla mandata e ritorno della caldaia	Ai tubi di mandata e ritorno del serbatoio scollegato

E' necessario un catino antigocciolamento?

Miglior scarico per l'acqua sporca?

Toilette	Tombino esterno	Serbatoio esterno	Altro

Colore dell'acqua prelevata dal fondello di un radiatore?

Limpida	Color ruggine	Marrone scuro	Nera

Parte B – Uso della pompa JetFlush Rapid per il lavaggio ad alta circolazione

MODULO DI CONTROLLO DEL LAVAGGIO

Ispezione visiva dell'acqua dell'impianto prima del lavaggio:

Limpida	Color ruggine	Marrone scuro	Nera

Risultati dell'analisi:

Parametro	Acqua di rete	Acqua dell'impianto prima del lavaggio	Acqua dell'impianto dopo il lavaggio
pH			
Ferro solubile (ppm)			
Rame solubile (ppm)			
Cloruri (ppm)			
Durezza			
Inibitore (livello oltre il minimo)			

Letture dei TDS (Solidi totali dissolti)					
Acqua di rete (ppm)		Acqua dell'impianto prima del lavaggio (ppm)			
Quando si controllano i TDS nell'acqua del risciacquo di ciascun radiatore, annotare i risultati qui sotto (ppm):					
Radiatore 1		Radiatore 8		Radiatore 15	
Radiatore 2		Radiatore 9		Radiatore 15	
Radiatore 3		Radiatore 10		Radiatore 17	
Radiatore 4		Radiatore 11		Radiatore 18	
Radiatore 5		Radiatore 12		Radiatore 19	
Radiatore 6		Radiatore 13		Radiatore 20	
Radiatore 7		Radiatore 14		Radiatore 21	

Parte B – Uso della pompa JetFlush Rapid per il lavaggio ad alta circolazione

Additivo pulitore usato:					
Sentinel X400		Sentinel X800		CalSanit	
Inibitore di corrosione usato:					
Sentinel X100					
I livelli corretti di inibitore devono essere verificati con X100 Quick Test					

Il sottoscritto ha lavato l'impianto con una pompa di circolazione esterna secondo le migliori pratiche del settore e seguendo le procedure raccomandate dalle normative vigenti (UNI 8065).	
Nome:	Firma:
Data:	

Parte C – Inconvenienti, servizio e riparazioni

INTRODUZIONE

Questa pompa è stata testata per quanto riguarda pressione e flusso dopo l'assemblaggio per assicurarsi che garantisca prestazioni elevate. Tuttavia, alcune parti possono danneggiarsi o consumarsi con il tempo e l'uso o possono venire parzialmente bloccate da materiale non solubile.

Se sussiste un dubbio che la pompa possa non funzionare più come quando era nuova, è possibile collaudarla e ripararla. Le procedure, elencate qui di seguito, sono di veloce esecuzione, non richiedono esperienza particolare e non compromettono le condizioni di garanzia.

Identificazione/risoluzione dei problemi

Nella prossima pagina si trova uno schema che aiuta nella diagnosi dei problemi che si presentano più comunemente. Lo schema e il test illustrato sono un'utile guida nel determinare se un problema dipende dall'unità JetFlush Rapid o dall'impianto di riscaldamento.

Come verificare le prestazioni della JetFlush

È consigliabile non eseguire questi controlli nei locali del cliente.

Test 1: Controllo della pressione

Occorrente: Manometro da 0–30 psi con adattatore per lo spinotto maschio (vedi sotto).

1. Riempire metà serbatoio con acqua.
2. Girare verso sinistra la leva dell'invertitore di flusso.
3. Regolare la valvola di sinistra su "Circolazione".
4. Regolare la valvola di destra su "Scarico".
5. Collegare un tubo di mandata/ritorno ai raccordi filettati (cortocircuitando il flusso).
6. Collegare il tubo di scarico normalmente.
7. Tenendo il tubo di scarico a distanza e dentro un punto di scarico adatto, accendere il motore per cinque secondi. Dovrebbe uscirne un forte getto d'acqua.
8. Collegare il manometro all'estremità del tubo e accendere il motore per 30 secondi. Con il motore acceso la lettura deve essere di 23–25 psi.

Parte C – Inconvenienti, servizio e riparazioni

Test 2: Controllo della portata

Occorrente: Un contenitore da 5 litri vuoto e pulito.

1. Ripetere i punti da 1 a 7 del test precedente.
2. Tenere il tubo di scarico in modo che scarichi l'acqua nel contenitore vuoto.
3. Con l'aiuto di un'altra persona, cronometrare in quanto tempo si riempie il contenitore da 5 litri. Il risultato deve essere fra 9 e 11 secondi.

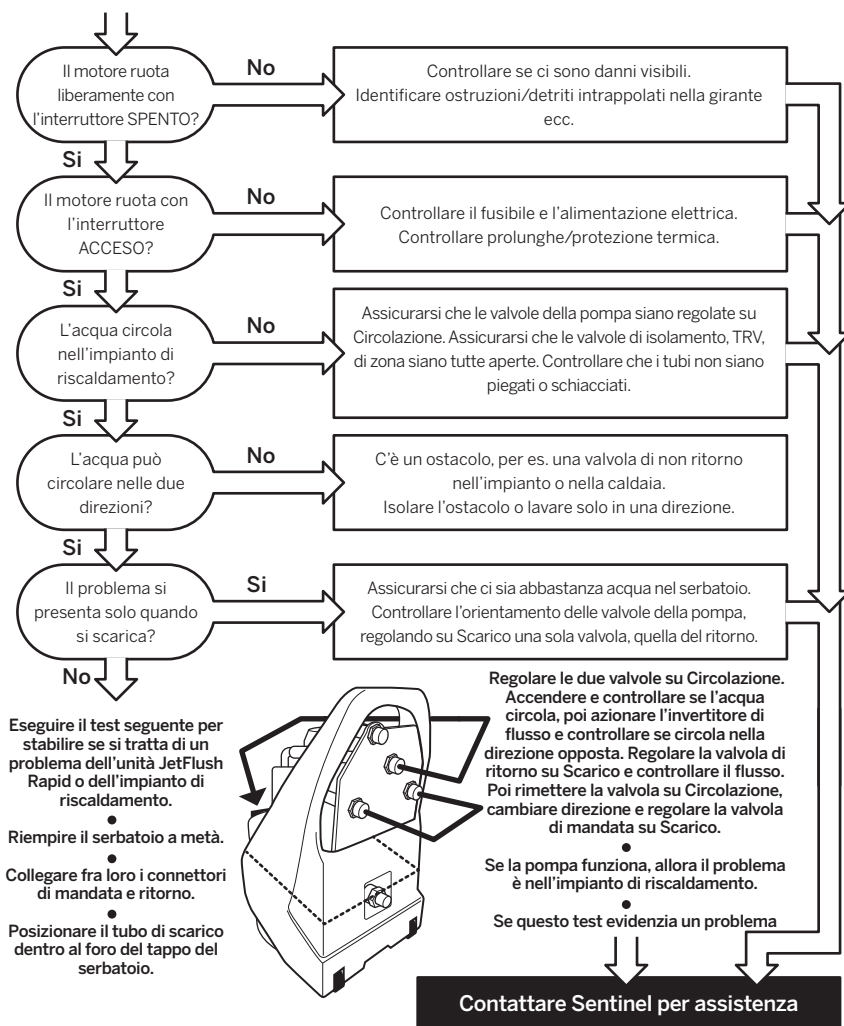
Ispezione

1. Rimuovere i 4 bulloni che fissano la flangia al serbatoio.
2. Sollevare e rimuovere il gruppo pompa dal serbatoio.
3. Ispezionare la copertura della girante sul fondo dell'unità assicurandosi che:
 - sia piatta.
 - non ci siano bulloni danneggiati o mancanti.
 - l'O-ring sia al suo posto e non si sia spostato.
4. Ispezionare l'interno della girante per assicurarsi che non ci siano detriti intrappolati.
5. Controllare tutte le connessioni dei tubi per assicurarsi che siano stagne.

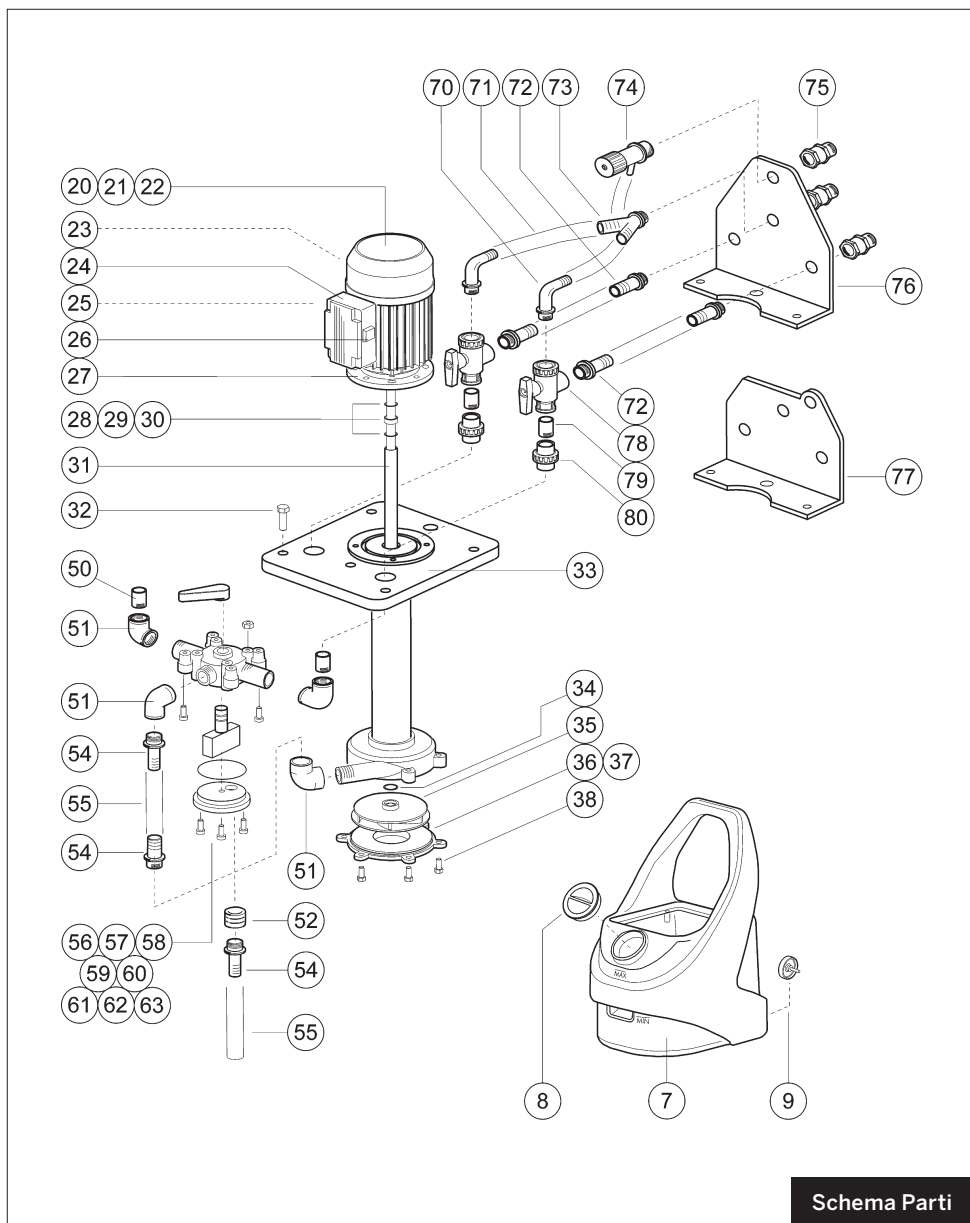
Parte C – Inconvenienti, servizio e riparazioni

RISOLUZIONE DEI PROBLEMI

Usare lo schema qui di seguito per determinare i possibili problemi e se necessario fare il semplice test di controllo della portata per stabilire se la pompa JetFlush funziona. Se la pompa ricircola e scarica con un buon flusso, allora i problemi devono dipendere dall'impianto.



Parte C – Inconvenienti, servizio e riparazioni



Schema Parti

Parte C – Inconvenienti, servizio e riparazioni

ELENCO RICAMBI JETFLUSH RAPID

N. sullo schema	Codice prodotto	Descrizione
7	H04020K	Serbatoio stampato JetFlush
8	H04021K	Tappo serbatoio JetFlush
9	H04022K	Ruota JetFlush (ciascuna)
9	H04022KA	Perno per ruota (ciascuna)
20	H04002L22K	Motore JetFlush 230v
21	H04012KA	Copertura ventola
22	H04012KB	Ventola motore
23	H03002B	Supporti motore
24	H03002F	Scatola interruttore motore
25	H03002D22	Condensatore 230v
26	H01502C	Interruttore motore
27	H030HJ08	Bullone ottone M8 x 40mm
27	H030HJ07	Dado ottone M8
27	H030HJ09	Rondella ottone M8
28	H03002A	Anello di sicurezza dell'albero motore
29	H03006	Boccola bianca in Arnite
30	H03007	O Ring albero trasmissione
31	H04014K	Manicotto albero trasmissione
32	H01507K	Bullone M12 in PP
33	H04013K	Flangia e corpo
34	H0150211A	'O' Ring della girante
35	H04015K	Girante
36	H04017K	Copertura del rotore
37	H04016K	'O' Ring della copertura del rotore
38	H03012K	Bullone M10 in PP

Parte C – Inconvenienti, servizio e riparazioni

N. sullo schema	Codice prodotto	Descrizione
50	H04018KF	Raccordo filettato $\frac{3}{4}$ " – 45mm
51	H03023	Gomito $\frac{3}{4}$ " f/f
52	H030F46	Attacco femmina filettato $\frac{3}{4}$ "
53	H030F11	Gomito $\frac{3}{4}$ " m/f
54	H090F04	Adattatore per tubo $\frac{3}{4}$ " m x 19mm in PP
55	HH019X30	Tubo trasparente diametro 19mm (per metro)
56	H04018KA	Levetta invertitore flusso
57	H04018KB	Paletta invertitore flusso
58	H04018KC	Corpo invertitore flusso
59	H04018KD	Piastra superiore invertitore flusso
60	H04018KE	'O' Ring per piastra superiore invertitore flusso
61	H03007	'O' Ring per paletta invertitore flusso
62	MI022	Vite a testa incassata M6 x 30mm
70	H090F03	Adattatore per tubi $\frac{3}{4}$ " m x 20mm 90°
71	HH019X30	Tubo trasparente diametro 19mm (per metro)
72	H090F04	Adattatore per tubo $\frac{3}{4}$ " m x 19mm in PP
73	H030HJ06	Adattatore per tubo a Y $\frac{3}{4}$ " m x 20mm
74	H190F16	Rubinetto presa acqua $\frac{3}{4}$ " x 19mm
75	H090F06	Adattatore in ottone $\frac{3}{4}$ " f x $\frac{3}{4}$ " m
77	H04024K	Staffa supporto tubi JetFlush
78	H090F01	Valvola a tre vie a L $\frac{3}{4}$ "
79	H04023K	Raccordo filettato $\frac{3}{4}$ " – 35mm
80	H04019K	Raccordo $\frac{3}{4}$ "

COMPONENTI TUBI JETFLUSH RAPID

N. sullo schema	Codice prodotto	Descrizione
	HH016X30	Tubo trasparente diametro 16mm per metro (specificare lunghezza)
	HH013X30	Tubo giallo diametro 13mm per metro (specificare lunghezza)
	H030F03	Adattatore in ottone per tubo ¾" f x 16mm
	H090F10	Adattatore in ottone per tubo ¾" f x 13mm
	H030F13A#	Fascetta stringitubo 16–25mm
	H030F13	Fascetta stringitubo, 12–22mm
	H030F04	Adattatore per tubo ¾" m x 16mm in PP
	H030F11	Gomito ¾" m/f
	H030F47	Adattatore per tubo ¾" f x 16mm in PP
Componenti per la connessione dei tubi di mandata e ritorno ai raccordi da 1½" rimasti dopo aver scollegato la pompa di circolazione		
	H030F07	Raccordo filettato in ottone ¾"
	H030F11	Gomito m/f in PP ¾"
	H0030F19	Boccola di riduzione in ottone da 1½" m a ¾" f

TUBI ACCESSORI JETFLUSH RAPID

N. sullo schema	Codice prodotto	Descrizione
	HHCF3DH	Tubo scarico 8 metri
	HHCF4FR	Tubi mandata e ritorno (in coppia) 5 metri
	HHCF3OH	Tubo troppo pieno 3 metri
	HHCF9WI	Tubo presa acqua 8 metri



JetFlush Rapid

SENTINEL®

REGISTRAZIONE DELLA GARANZIA

Si prega di completare il modulo e restituirlo a Sentinel per registrare la garanzia di 2 anni.

Oppure è possibile registrare il prodotto online visitando il sito web <http://www.sentinelprotects.com/it/registrazione-garanzia> e selezionando JetFlush Rapid. I termini e condizioni completi sono pubblicati anche sul sito web.

Società

Indirizzo

.....

CAP

Telefono

Email

Luogo di acquisto

Data di acquisto

Sentinel Performance Solutions Ltd vorrebbe poterle inviare informazioni su nuovi prodotti, servizi e promozioni. Se desidera ricevere queste informazioni, la preghiamo di barrare il mezzo prescelto – via Posta ordinaria E-mail Telefono

INVIARE IL CERTIFICATO DI GARANZIA A:

Sentinel Performance Solutions Ltd, Via San Prospero 4, 20121 Milano

CUSTOMER SERVICES

For expert advice, any more information about the Sentinel JetFlush Rapid or any other product in the range please contact customer services at:

Sentinel Performance Solutions Ltd.

7650 Daresbury Park
Warrington
Cheshire
WA4 4BS

Tel +44 (0) 1928 704 330
www.sentinelprotects.com

SERVICE CLIENTS

Pour obtenir les conseils d'experts et de plus amples informations sur Sentinel JetFlush Rapid ou tout autre produit Sentinel, contactez-nous:

Sentinel Performance Solutions Ltd.

Cité Descartes – 16 rue Albert Einstein
77420 Champs sur Marne

Téléphone : 01 64 15 22 40
www.sentinelprotects.com

SERVIZIO CLIENTI

Per avere la consulenza di un esperto e ulteriori informazioni su questo o altri prodotti Sentinel, non esitate a contattarci:

Sentinel Performance Solutions Ltd.

Via San Prospero, 4
20121 Milano

Telefono: 800 979134
Email: info.italia@sentinelprotects.com
www.sentinelprotects.com

